



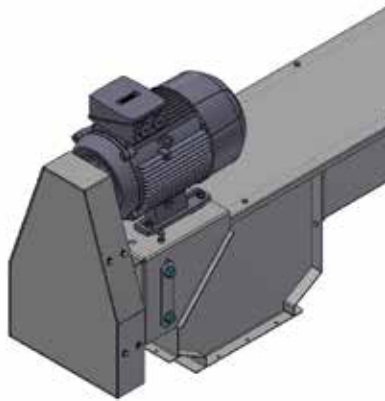
**TECHNICAL
DATASHEETS**

H1. Screw conveyors

H.1 - AGI EMEA SCREW CONVEYORS

The unloading AGI EMEA screw conveyor is an efficient solution for the half trench system. The U-shape casing, with the flanged and bolted joints, provides enough space to be installed in the flat bottom silo foundation or under the full floor aeration system. The auger is made of steel and mounted on roller bearings. It is designed with a diameter of 250 mm continuously formed with a full pitch (1:1 pitch to diameter) and a flight thickness of 2 mm. It also includes an outlet hopper for the discharge of the products.

Suitable for all flat bottom and hopper silos and for small applications of maximum unloading capacity of 50 T/h (based on wheat with density of 780 kg/m³)



— Dwg. 3D screw conveyor head motor drive



— Photo of screw conveyor head motor drive



— Photo of screw conveyor with closed cover



— Photo of screw conveyor with opened cover