

An aerial photograph of an industrial facility, likely a refinery or chemical plant, featuring numerous large cylindrical storage tanks and a complex network of pipes and walkways. A large, semi-transparent green graphic overlay is positioned on the left side of the image, partially covering the tanks. The text 'TECHNICAL DATASHEETS' is printed in white, bold, sans-serif font across the center of this green overlay.

**TECHNICAL
DATASHEETS**



Dimensions and capacities Table guide

INTRODUCTION

About AGI

AGI is one of the world's leading manufacturer and solution provider in farm and commercial agriculture equipment. We're Supplying the World's Food Infrastructure. We understand that feeding the world requires a global network of infrastructure and technology to store, blend, mix, convey, condition, process, and protect hundreds of millions of tons of agriculture inputs and crops flowing around the world daily. Our AGI products, equipment, and technology facilitates this global movement, from growing crops and moving them to market, to processing crops into feed for animals and food for people.

As a global leader in the planning, engineering and manufacturing of full solutions and systems, we operate across 5 platforms — Seed, Fertilizer, Grain, Feed, and Food — and we partner with our customers on 6 continents to leverage the AGI Advantage and engineer unique, market-specific systems.

These systems are delivered for farm and commercial applications and include Storage, Handling, Structural, Processing, and Technology all based on and brought together by Engineering and Project Management.

Over 35 AGI brands are among the most recognized equipment manufacturers in the global agriculture industry. Our AGI engineers and project managers deliver custom-designed farm and commercial systems for storage and conditioning, handling, structures, processing, and controls applications.

With over 160 years of combined history and our internationally-recognized products, services, and brands, the AGI Advantage has you covered.

About AGI EMEA

AGI EMEA is the AGI hub for EMEA Region and is the result of FRAME and PTM amalgamation into a single legal entity.

With three updated state-of-the-art manufacturing facilities in Italy, AGI EMEA delivers custom systems and solutions across seven components: storage, handling, processing, structures, technology, project management and engineering.

With over 30 years of experience in grain storage and handling industry, AGI EMEA is one of Europe's largest and most respected manufactures of all types of grain storage and handling solutions for commercial and agricultural applications. AGI EMEA product portfolio includes silos and accessories, catwalks, towers, ladders, platforms, sweeps, temperature sensing, chain conveyors, bucket elevators, belt conveyors, weighing, cleaning, bagging and dryers solutions. From the first design to manufacturing and installation, customers trust AGI EMEA as the ideal partner on their projects around the world.



Dimensions and capacities

Table guide

Contents

01

Tables | Narrow corrugation sheet - Dimensions and Capacities

- 01 FPN Flat Bottom Silos
- 10 FC45N Hopper Silos
- 14 FC60N Hopper Silos
- 16 CR45N Truck loading Silos
- 17 CR60N Truck loading Silos

02

Tables | Shallow corrugation sheet - Dimensions and Capacities

- 18 FPS Flat Bottom Silos
- 27 FC45S Hopper Silos
- 31 FC60S Hopper Silos
- 33 CR45S Truck loading Silos
- 34 CR60S Truck loading Silos



Silo models

DESIGN STANDARDS

STANDARDS PARAMETERS

- Wind speed: 144 km/h
- Snow load: 75 kg/sqm
- Peak load from 250 kg (FP 04) to 15,000 kg (FP36)
- Seismic acceleration according to local requirements
- Fill/empty cycles: 50 no per year
- Available ASAE or EC

STEEL SHEET FOR NARROW CORRUGATION SHEET

- HX420LAD+Z steel
- 67.7 mm corrugation pitch x 12.7 mm depth
- Wall sheets thickness from 0.8 mm up to 5 mm (up to double lamination possible)
- Wall sheets dimension 3001,5 mm x 880 mm
- Punch pattern: according to design requirements

STEEL SHEET FOR SHALLOW CORRUGATION SHEET

- HX420LAD+Z steel
- 101,6 mm corrugation pitch x 11,4 mm depth
- Wall sheets thickness from 0.8 mm up to 5 mm (up to double lamination possible)
- Wall sheets dimension 3001,5 mm x 1117,6 mm
- Punch pattern: according to design requirement



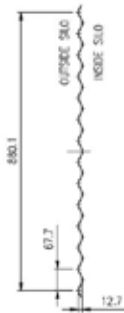
Flat / Hopper bottom silos

Narrow & shallow corrugation sheet

AGI EMEA has developed a new corrugation sheet thanks to its technical department that always seeks for newesty and propose the best solution to our client. Especially in term of cost-efficiency and time of intallation.

«NARROW CORRUGATION SHEET» PARAMETERS

- Overall heights of sheet: 880,1 mm
- Depth: 12,7 mm
- Lenght of the corrugation:67,7 mm



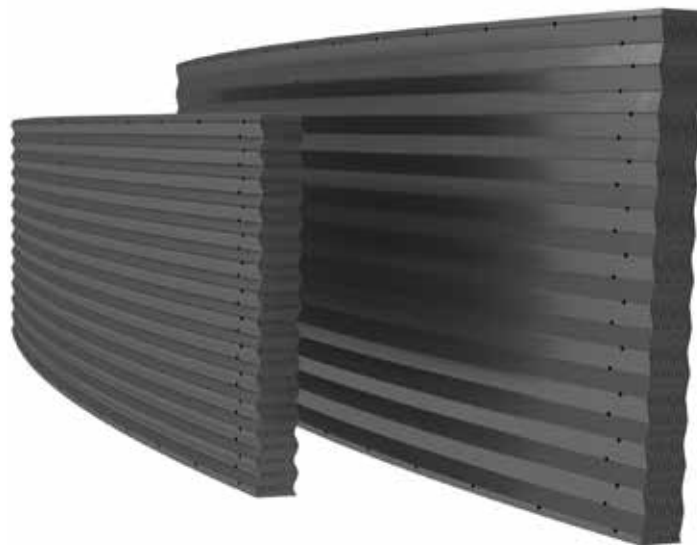
Narrow corrugation sheet

«SHALLOW CORRUGATION SHEET» PARAMETERS

- Overall heights of sheet: 1117,6 mm
- Depth: 11,4 mm
- Lenght of the corrugation:101,6 mm



Shallow corrugation sheet



Narrow corrugation sheet

Shallow corrugation sheet

FPN Flat Bottom Silos Dimensions and Capacities (Narrow Corrugation Sheet)

DIAMETER METERS (FT)	MODEL	HEIGHTS		CAPACITY		DIAMETER METERS (FT)	MODEL	HEIGHTS		CAPACITY		
		EAVES M (B)	OVERALL M (C)	M ³	TONNES			EAVES M (B)	OVERALL M (C)	M ³	TONNES	
FPN 04 D=3.64 m (12 FT)	FPN 04/04	3.56	4.55	40	31	FPN 07 D=6.37 m (21 FT)	FPN 07/04	3.56	5.33	131	102	
	FPN 04/05	4.44	5.43	50	39		FPN 07/05	4.44	6.21	159	124	
	FPN 04/06	5.32	6.31	59	46		FPN 07/06	5.32	7.10	187	146	
	FPN 04/07	6.20	7.19	68	53		FPN 07/07	6.20	7.98	215	168	
	FPN 04/08	7.08	8.07	77	60		FPN 07/08	7.08	8.86	243	190	
	FPN 04/09	7.96	8.95	86	67		FPN 07/09	7.96	9.74	271	212	
	FPN 04/10	8.84	9.83	95	74		FPN 07/10	8.84	10.62	299	234	
	FPN 04/11	9.72	10.71	104	81		FPN 07/11	9.72	11.50	327	255	
	FPN 04/12	10.60	11.59	114	89		FPN 07/12	10.60	12.38	355	277	
	FPN 04/13	11.48	12.47	123	96		FPN 07/13	11.48	13.26	383	299	
	FPN 04/14	12.36	13.35	132	103		FPN 07/14	12.36	14.14	411	321	
	FPN 04/15	13.24	14.23	141	110		FPN 07/15	13.24	15.02	440	343	
	FPN 05 D=4.55 m (15 FT)	FPN 05/04	3.56	4.81	64		50	FPN 07/16	14.12	15.90	468	365
		FPN 05/05	4.44	5.69	79		61	FPN 07/17	15.00	16.78	496	387
		FPN 05/06	5.32	6.57	93		73	FPN 07/18	15.88	17.66	524	408
FPN 05/07		6.20	7.45	107	84	FPN 07/19	16.76	18.54	552	430		
FPN 05/08		7.08	8.33	122	95	FPN 07/20	17.64	19.42	580	452		
FPN 05/09		7.96	9.21	136	106	FPN 07/21	18.52	20.30	608	474		
FPN 05/10		8.84	10.09	150	117	FPN 07/22	19.40	21.18	636	496		
FPN 05/11		9.72	10.97	164	128	FPN 07/23	20.28	22.06	664	518		
FPN 05/12		10.60	11.85	179	139	FPN 07/24	21.16	22.94	692	540		
FPN 05/13		11.48	12.73	193	151	FPN 07/25	22.04	23.82	720	561		
FPN 05/14		12.36	13.61	207	162	FPN 07/26	22.92	24.70	748	583		
FPN 05/15		13.24	14.49	222	173	FPN 07/27	23.80	25.58	776	605		
FPN 05/16		14.12	15.37	236	184	FPN 07/28	24.68	26.46	804	627		
FPN 05/17		15.00	16.25	250	195	FPN 07/29	25.56	27.34	832	649		
FPN 05/18		15.88	17.13	265	206	FPN 07/30	26.44	28.22	860	671		
FPN 05/19	16.76	18.01	279	217	FPN 07/31	27.32	29.10	888	693			
FPN 05/20	17.64	18.89	293	229	FPN 07/32	28.20	29.98	916	714			
FPN 06 D=5.46 m (18 FT)	FPN 06/04	3.56	5.07	95	74	FPN 07/33	29.08	30.86	944	736		
	FPN 06/05	4.44	5.95	115	90	FPN 07/34	29.96	31.74	972	758		
	FPN 06/06	5.32	6.83	136	106	FPN 07/35	30.84	32.62	1,000	780		
	FPN 06/07	6.20	7.71	156	122	FPN 07/36	31.72	33.50	1,028	802		
	FPN 06/08	7.08	8.59	177	138	FPN 08/04	3.56	5.60	175	136		
	FPN 06/09	7.96	9.47	197	154	FPN 08/05	4.44	6.48	211	165		
	FPN 06/10	8.84	10.35	218	170	FPN 08/06	5.32	7.36	248	193		
	FPN 06/11	9.72	11.23	239	186	FPN 08/07	6.20	8.24	285	222		
	FPN 06/12	10.60	12.11	259	202	FPN 08/08	7.08	9.12	321	251		
	FPN 06/13	11.48	12.99	280	218	FPN 08/09	7.96	10.00	358	279		
	FPN 06/14	12.36	13.87	300	234	FPN 08/10	8.84	10.88	394	308		
	FPN 06/15	13.24	14.75	321	250	FPN 08/11	9.72	11.76	431	336		
	FPN 06/16	14.12	15.63	342	266	FPN 08/12	10.60	12.64	468	365		
	FPN 06/17	15.00	16.51	362	283	FPN 08/13	11.48	13.52	504	393		
	FPN 06/18	15.88	17.39	383	299	FPN 08/14	12.36	14.40	541	422		
FPN 06/19	16.76	18.27	403	315	FPN 08/15	13.24	15.28	577	450			
FPN 06/20	17.64	19.15	424	331	FPN 08/16	14.12	16.16	614	479			
FPN 06/21	18.52	20.03	445	347	FPN 08/17	15.00	17.04	651	507			
FPN 06/22	19.40	20.91	465	363	FPN 08/18	15.88	17.92	687	536			
FPN 06/23	20.28	21.79	486	379	FPN 08/19	16.76	18.80	724	565			
FPN 06/24	21.16	22.67	506	395	FPN 08/20	17.64	19.68	760	593			
FPN 08 D=7.28 m (24 FT)						FPN 08/21	18.52	20.56	797	622		
						FPN 08/22	19.40	21.44	834	650		
						FPN 08/23	20.28	22.32	870	679		
						FPN 08/24	21.16	23.20	907	707		
						FPN 08/25	22.04	24.08	943	736		
						FPN 08/26	22.92	24.96	980	764		
						FPN 08/27	23.80	25.84	1,017	793		
						FPN 08/28	24.68	26.72	1,053	821		
						FPN 08/29	25.56	27.60	1,090	850		
						FPN 08/30	26.44	28.48	1,126	879		
						FPN 08/31	27.32	29.36	1,163	907		
						FPN 08/32	28.20	30.24	1,200	936		
						FPN 08/33	29.08	31.12	1,236	964		
						FPN 08/34	29.96	32.00	1,273	993		
						FPN 08/35	30.84	32.88	1,309	1,021		
						FPN 08/36	31.72	33.76	1,346	1,050		
						FPN 08/37	32.60	34.64	1,383	1,078		
						FPN 08/38	33.48	35.52	1,419	1,107		
						FPN 08/39	34.36	36.40	1,456	1,136		

FPN Flat Bottom Silos Dimensions and Capacities (Narrow Corrugation Sheet)

DIAMETER METERS (FT)	MODEL	HEIGHTS		CAPACITY		DIAMETER METERS (FT)	MODEL	HEIGHTS		CAPACITY			
		EAVES M (B)	OVERALL M (C)	M ³	TONNES			EAVES M (B)	OVERALL M (C)	M ³	TONNES		
FPN 09 D=8.19 m (27 FT)	FPN 09/04	3.56	5.86	225	176	FPN 11 D=10.01 m (33 FT)	FPN 11/04	3.56	6.24	350	273		
	FPN 09/05	4.44	6.74	272	212		FPN 11/05	4.44	7.12	419	327		
	FPN 09/06	5.32	7.62	318	248		FPN 11/06	5.32	8.00	488	381		
	FPN 09/07	6.20	8.50	364	284		FPN 11/07	6.20	8.88	557	435		
	FPN 09/08	7.08	9.38	411	320		FPN 11/08	7.08	9.76	626	489		
	FPN 09/09	7.96	10.26	457	357		FPN 11/09	7.96	10.65	696	542		
	FPN 09/10	8.84	11.14	503	393		FPN 11/10	8.84	11.53	765	596		
	FPN 09/11	9.72	12.02	550	429		FPN 11/11	9.72	12.41	834	650		
	FPN 09/12	10.60	12.90	596	465		FPN 11/12	10.60	13.29	903	704		
	FPN 09/13	11.48	13.78	642	501		FPN 11/13	11.48	14.17	972	758		
	FPN 09/14	12.36	14.66	689	537		FPN 11/14	12.36	15.05	1,041	812		
	FPN 09/15	13.24	15.54	735	573		FPN 11/15	13.24	15.93	1,111	866		
	FPN 09/16	14.12	16.42	781	609		FPN 11/16	14.12	16.81	1,180	920		
	FPN 09/17	15.00	17.30	828	646		FPN 11/17	15.00	17.69	1,249	974		
	FPN 09/18	15.88	18.18	874	682		FPN 11/18	15.88	18.57	1,318	1,028		
	FPN 09/19	16.76	19.06	920	718		FPN 11/19	16.76	19.45	1,387	1,082		
	FPN 09/20	17.64	19.94	967	754		FPN 11/20	17.64	20.33	1,457	1,136		
	FPN 09/21	18.52	20.82	1,013	790		FPN 11/21	18.52	21.21	1,526	1,190		
	FPN 09/22	19.40	21.70	1,059	826		FPN 11/22	19.40	22.09	1,595	1,244		
	FPN 09/23	20.28	22.58	1,106	862		FPN 11/23	20.28	22.97	1,664	1,298		
	FPN 09/24	21.16	23.46	1,152	898		FPN 11/24	21.16	23.85	1,733	1,352		
	FPN 09/25	22.04	24.34	1,198	935		FPN 11/25	22.04	24.73	1,803	1,406		
	FPN 09/26	22.92	25.22	1,245	971		FPN 11/26	22.92	25.61	1,872	1,460		
	FPN 09/27	23.80	26.10	1,291	1,007		FPN 11/27	23.80	26.49	1,941	1,514		
	FPN 09/28	24.68	26.98	1,337	1,043		FPN 11/28	24.68	27.37	2,010	1,568		
	FPN 09/29	25.56	27.86	1,384	1,079		FPN 11/29	25.56	28.25	2,079	1,622		
	FPN 09/30	26.44	28.74	1,430	1,115		FPN 11/30	26.44	29.13	2,149	1,676		
	FPN 09/31	27.32	29.62	1,476	1,151		FPN 11/31	27.32	30.01	2,218	1,730		
	FPN 09/32	28.20	30.50	1,522	1,188		FPN 11/32	28.20	30.89	2,287	1,784		
	FPN 09/33	29.08	31.38	1,569	1,224		FPN 11/33	29.08	31.77	2,356	1,838		
	FPN 09/34	29.96	32.26	1,615	1,260		FPN 11/34	29.96	32.65	2,425	1,892		
	FPN 09/35	30.84	33.14	1,661	1,296		FPN 11/35	30.84	33.53	2,495	1,946		
	FPN 09/36	31.72	34.02	1,708	1,332		FPN 11/36	31.72	34.41	2,564	2,000		
	FPN 09/37	32.60	34.90	1,754	1,368		FPN 11/37	32.60	35.29	2,633	2,054		
	FPN 09/38	33.48	35.78	1,800	1,404		FPN 11/38	33.48	36.17	2,702	2,108		
	FPN 09/39	34.36	36.66	1,847	1,440		FPN 11/39	34.36	37.05	2,771	2,162		
	FPN 10 D=9.10 m (30 FT)	FPN 10/04	3.56	5.98	284		221	FPN 12 D=10.91 m (36 FT)	FPN 12/04	3.56	6.51	424	330
		FPN 10/05	4.44	6.86	341		266		FPN 12/05	4.44	7.39	506	395
		FPN 10/06	5.32	7.74	398		310		FPN 12/06	5.32	8.27	588	459
FPN 10/07		6.20	8.62	455	355	FPN 12/07	6.20		9.15	671	523		
FPN 10/08		7.08	9.50	512	400	FPN 12/08	7.08		10.03	753	587		
FPN 10/09		7.96	10.38	570	444	FPN 12/09	7.96		10.91	835	651		
FPN 10/10		8.84	11.26	627	489	FPN 12/10	8.84		11.79	918	716		
FPN 10/11		9.72	12.14	684	533	FPN 12/11	9.72		12.67	1,000	780		
FPN 10/12		10.60	13.02	741	578	FPN 12/12	10.60		13.55	1,082	844		
FPN 10/13		11.48	13.90	798	623	FPN 12/13	11.48		14.43	1,165	908		
FPN 10/14		12.36	14.78	855	667	FPN 12/14	12.36		15.31	1,247	973		
FPN 10/15		13.24	15.66	913	712	FPN 12/15	13.24		16.19	1,329	1,037		
FPN 10/16		14.12	16.54	970	756	FPN 12/16	14.12		17.07	1,412	1,101		
FPN 10/17		15.00	17.42	1,027	801	FPN 12/17	15.00		17.95	1,494	1,165		
FPN 10/18		15.88	18.30	1,084	846	FPN 12/18	15.88		18.83	1,576	1,230		
FPN 10/19		16.76	19.18	1,141	890	FPN 12/19	16.76		19.71	1,659	1,294		
FPN 10/20		17.64	20.06	1,199	935	FPN 12/20	17.64		20.59	1,741	1,358		
FPN 10/21		18.52	20.94	1,256	980	FPN 12/21	18.52		21.47	1,823	1,422		
FPN 10/22		19.40	21.82	1,313	1,024	FPN 12/22	19.40		22.35	1,906	1,487		
FPN 10/23		20.28	22.70	1,370	1,069	FPN 12/23	20.28		23.23	1,988	1,551		
FPN 10/24		21.16	23.58	1,427	1,113	FPN 12/24	21.16		24.11	2,070	1,615		
FPN 10/25		22.04	24.46	1,485	1,158	FPN 12/25	22.04		24.99	2,153	1,679		
FPN 10/26		22.92	25.34	1,542	1,203	FPN 12/26	22.92		25.87	2,235	1,743		
FPN 10/27		23.80	26.22	1,599	1,247	FPN 12/27	23.80		26.75	2,318	1,808		
FPN 10/28		24.68	27.10	1,656	1,292	FPN 12/28	24.68		27.63	2,400	1,872		
FPN 10/29		25.56	27.98	1,713	1,336	FPN 12/29	25.56		28.51	2,482	1,936		
FPN 10/30		26.44	28.86	1,770	1,381	FPN 12/30	26.44		29.39	2,565	2,000		
FPN 10/31		27.32	29.74	1,828	1,426	FPN 12/31	27.32		30.27	2,647	2,065		
FPN 10/32		28.20	30.62	1,885	1,470	FPN 12/32	28.20		31.15	2,729	2,129		
FPN 10/33		29.08	31.50	1,942	1,515	FPN 12/33	29.08		32.03	2,812	2,193		
FPN 10/34		29.96	32.38	1,999	1,559	FPN 12/34	29.96		32.91	2,894	2,257		
FPN 10/35		30.84	33.27	2,056	1,604	FPN 12/35	30.84		33.79	2,976	2,322		
FPN 10/36		31.72	34.15	2,114	1,649	FPN 12/36	31.72		34.67	3,059	2,386		
FPN 10/37		32.60	35.03	2,171	1,693	FPN 12/37	32.60		35.55	3,141	2,450		
FPN 10/38		33.48	35.91	2,228	1,738	FPN 12/38	33.48		36.43	3,223	2,514		
FPN 10/39		34.36	36.79	2,285	1,782	FPN 12/39	34.36		37.31	3,306	2,578		

FPN Flat Bottom Silos Dimensions and Capacities (Narrow Corrugation Sheet)

DIAMETER METERS (FT)	MODEL	HEIGHTS		CAPACITY		DIAMETER METERS (FT)	MODEL	HEIGHTS		CAPACITY	
		EAVES M (B)	OVERALL M (C)	M ³	TONNES			EAVES M (B)	OVERALL M (C)	M ³	TONNES
FPN 13 D=11.82 m (39 FT)	FPN 13/04	3.56	6.77	506	395	FPN 15 D=13.64 m (45 FT)	FPN 15/04	3.56	7.29	697	544
	FPN 13/05	4.44	7.65	603	470		FPN 15/05	4.44	8.17	826	644
	FPN 13/06	5.32	8.53	699	545		FPN 15/06	5.32	9.05	954	744
	FPN 13/07	6.20	9.41	796	621		FPN 15/07	6.20	9.94	1,083	845
	FPN 13/08	7.08	10.29	892	696		FPN 15/08	7.08	10.82	1,212	945
	FPN 13/09	7.96	11.17	989	772		FPN 15/09	7.96	11.70	1,340	1,046
	FPN 13/10	8.84	12.05	1,086	847		FPN 15/10	8.84	12.58	1,469	1,146
	FPN 13/11	9.72	12.93	1,182	922		FPN 15/11	9.72	13.46	1,598	1,246
	FPN 13/12	10.60	13.81	1,279	998		FPN 15/12	10.60	14.34	1,726	1,347
	FPN 13/13	11.48	14.69	1,376	1,073		FPN 15/13	11.48	15.22	1,855	1,447
	FPN 13/14	12.36	15.57	1,472	1,148		FPN 15/14	12.36	16.10	1,984	1,547
	FPN 13/15	13.24	16.45	1,569	1,224		FPN 15/15	13.24	16.98	2,112	1,648
	FPN 13/16	14.12	17.33	1,666	1,299		FPN 15/16	14.12	17.86	2,241	1,748
	FPN 13/17	15.00	18.21	1,762	1,375		FPN 15/17	15.00	18.74	2,370	1,848
	FPN 13/18	15.88	19.09	1,859	1,450		FPN 15/18	15.88	19.62	2,498	1,949
	FPN 13/19	16.76	19.97	1,956	1,525		FPN 15/19	16.76	20.50	2,627	2,049
	FPN 13/20	17.64	20.85	2,052	1,601		FPN 15/20	17.64	21.38	2,756	2,150
	FPN 13/21	18.52	21.73	2,149	1,676		FPN 15/21	18.52	22.26	2,884	2,250
	FPN 13/22	19.40	22.61	2,245	1,751		FPN 15/22	19.40	23.14	3,013	2,350
	FPN 13/23	20.28	23.49	2,342	1,827		FPN 15/23	20.28	24.02	3,142	2,451
	FPN 13/24	21.16	24.37	2,439	1,902		FPN 15/24	21.16	24.90	3,270	2,551
	FPN 13/25	22.04	25.25	2,535	1,978		FPN 15/25	22.04	25.78	3,399	2,651
	FPN 13/26	22.92	26.13	2,632	2,053		FPN 15/26	22.92	26.66	3,528	2,752
	FPN 13/27	23.80	27.01	2,729	2,128		FPN 15/27	23.80	27.54	3,656	2,852
	FPN 13/28	24.68	27.89	2,825	2,204		FPN 15/28	24.68	28.42	3,785	2,952
	FPN 13/29	25.56	28.77	2,922	2,279		FPN 15/29	25.56	29.30	3,914	3,053
	FPN 13/30	26.44	29.65	3,019	2,355		FPN 15/30	26.44	30.18	4,042	3,153
	FPN 13/31	27.32	30.53	3,115	2,430		FPN 15/31	27.32	31.06	4,171	3,254
	FPN 13/32	28.20	31.41	3,212	2,505		FPN 15/32	28.20	31.94	4,300	3,354
	FPN 13/33	29.08	32.29	3,309	2,581		FPN 15/33	29.08	32.82	4,429	3,454
FPN 13/34	29.96	33.17	3,405	2,656	FPN 15/34	29.96	33.70	4,557	3,555		
FPN 13/35	30.84	34.05	3,502	2,731	FPN 15/35	30.84	34.58	4,686	3,655		
FPN 13/36	31.72	34.93	3,599	2,807	FPN 15/36	31.72	35.46	4,815	3,755		
FPN 13/37	32.60	35.81	3,695	2,882	FPN 15/37	32.60	36.34	4,943	3,856		
FPN 13/38	33.48	36.69	3,792	2,958	FPN 15/38	33.48	37.22	5,072	3,956		
FPN 13/39	34.36	37.57	3,888	3,033	FPN 15/39	34.36	38.10	5,201	4,056		
FPN 14 D=12.73 m (42 FT)	FPN 14/04	3.56	7.03	597	466	FPN 16 D=14.55 m (48 FT)	FPN 16/04	3.56	7.56	807	629
	FPN 14/05	4.44	7.91	709	553		FPN 16/05	4.44	8.44	953	743
	FPN 14/06	5.32	8.79	821	640		FPN 16/06	5.32	9.32	1,099	857
	FPN 14/07	6.20	9.67	933	728		FPN 16/07	6.20	10.20	1,246	972
	FPN 14/08	7.08	10.55	1,045	815		FPN 16/08	7.08	11.08	1,392	1,086
	FPN 14/09	7.96	11.43	1,157	903		FPN 16/09	7.96	11.96	1,539	1,200
	FPN 14/10	8.84	12.31	1,269	990		FPN 16/10	8.84	12.84	1,685	1,314
	FPN 14/11	9.72	13.19	1,382	1,078		FPN 16/11	9.72	13.72	1,831	1,428
	FPN 14/12	10.60	14.07	1,494	1,165		FPN 16/12	10.60	14.60	1,978	1,543
	FPN 14/13	11.48	14.95	1,606	1,252		FPN 16/13	11.48	15.48	2,124	1,657
	FPN 14/14	12.36	15.83	1,718	1,340		FPN 16/14	12.36	16.36	2,271	1,771
	FPN 14/15	13.24	16.71	1,830	1,427		FPN 16/15	13.24	17.24	2,417	1,885
	FPN 14/16	14.12	17.59	1,942	1,515		FPN 16/16	14.12	18.12	2,563	1,999
	FPN 14/17	15.00	18.47	2,054	1,602		FPN 16/17	15.00	19.00	2,710	2,114
	FPN 14/18	15.88	19.35	2,166	1,690		FPN 16/18	15.88	19.88	2,856	2,228
	FPN 14/19	16.76	20.23	2,278	1,777		FPN 16/19	16.76	20.76	3,002	2,342
	FPN 14/20	17.64	21.11	2,390	1,864		FPN 16/20	17.64	21.64	3,149	2,456
	FPN 14/21	18.52	21.99	2,502	1,952		FPN 16/21	18.52	22.52	3,295	2,570
	FPN 14/22	19.40	22.87	2,615	2,039		FPN 16/22	19.40	23.40	3,442	2,685
	FPN 14/23	20.28	23.75	2,727	2,127		FPN 16/23	20.28	24.28	3,588	2,799
	FPN 14/24	21.16	24.63	2,839	2,214		FPN 16/24	21.16	25.16	3,734	2,913
	FPN 14/25	22.04	25.51	2,951	2,302		FPN 16/25	22.04	26.04	3,881	3,027
	FPN 14/26	22.92	26.39	3,063	2,389		FPN 16/26	22.92	26.92	4,027	3,141
	FPN 14/27	23.80	27.27	3,175	2,476		FPN 16/27	23.80	27.80	4,174	3,255
	FPN 14/28	24.68	28.15	3,287	2,564		FPN 16/28	24.68	28.68	4,320	3,370
	FPN 14/29	25.56	29.03	3,399	2,651		FPN 16/29	25.56	29.56	4,466	3,484
	FPN 14/30	26.44	29.91	3,511	2,739		FPN 16/30	26.44	30.44	4,613	3,598
	FPN 14/31	27.32	30.79	3,623	2,826		FPN 16/31	27.32	31.32	4,759	3,712
	FPN 14/32	28.20	31.68	3,735	2,914		FPN 16/32	28.20	32.20	4,906	3,826
	FPN 14/33	29.08	32.56	3,847	3,001		FPN 16/33	29.08	33.08	5,052	3,941
FPN 14/34	29.96	33.44	3,960	3,088	FPN 16/34	29.96	33.96	5,198	4,055		
FPN 14/35	30.84	34.32	4,072	3,176	FPN 16/35	30.84	34.84	5,345	4,169		
FPN 14/36	31.72	35.20	4,184	3,263	FPN 16/36	31.72	35.72	5,491	4,283		
FPN 14/37	32.60	36.08	4,296	3,351	FPN 16/37	32.60	36.60	5,638	4,397		
FPN 14/38	33.48	36.96	4,408	3,438	FPN 16/38	33.48	37.48	5,784	4,512		
FPN 14/39	34.36	37.84	4,520	3,526	FPN 16/39	34.36	38.36	5,930	4,626		

FPN Flat Bottom Silos Dimensions and Capacities (Narrow Corrugation Sheet)

DIAMETER METERS (FT)	MODEL	HEIGHTS		CAPACITY		DIAMETER METERS (FT)	MODEL	HEIGHTS		CAPACITY			
		EAVES M (B)	OVERALL M (C)	M ³	TONNES			EAVES M (B)	OVERALL M (C)	M ³	TONNES		
FPN 17 D=15.46 m (51 FT)	FPN 17/04	3.56	7.76	926	722	FPN 19 D=17.28 m (57 FT)	FPN 19/04	3.56	8.35	1,194	931		
	FPN 17/05	4.44	8.64	1,091	851		FPN 19/05	4.44	9.23	1,400	1,092		
	FPN 17/06	5.32	9.52	1,256	980		FPN 19/06	5.32	10.11	1,607	1,253		
	FPN 17/07	6.20	10.40	1,421	1,109		FPN 19/07	6.20	10.99	1,813	1,414		
	FPN 17/08	7.08	11.28	1,587	1,238		FPN 19/08	7.08	11.87	2,020	1,575		
	FPN 17/09	7.96	12.16	1,752	1,367		FPN 19/09	7.96	12.75	2,226	1,736		
	FPN 17/10	8.84	13.04	1,917	1,495		FPN 19/10	8.84	13.63	2,433	1,898		
	FPN 17/11	9.72	13.92	2,083	1,624		FPN 19/11	9.72	14.51	2,639	2,059		
	FPN 17/12	10.60	14.80	2,248	1,753		FPN 19/12	10.60	15.39	2,846	2,220		
	FPN 17/13	11.48	15.68	2,413	1,882		FPN 19/13	11.48	16.27	3,052	2,381		
	FPN 17/14	12.36	16.56	2,578	2,011		FPN 19/14	12.36	17.15	3,258	2,542		
	FPN 17/15	13.24	17.44	2,744	2,140		FPN 19/15	13.24	18.03	3,465	2,703		
	FPN 17/16	14.12	18.32	2,909	2,269		FPN 19/16	14.12	18.91	3,671	2,864		
	FPN 17/17	15.00	19.20	3,074	2,398		FPN 19/17	15.00	19.79	3,878	3,025		
	FPN 17/18	15.88	20.08	3,239	2,527		FPN 19/18	15.88	20.67	4,084	3,186		
	FPN 17/19	16.76	20.96	3,405	2,656		FPN 19/19	16.76	21.55	4,291	3,347		
	FPN 17/20	17.64	21.84	3,570	2,785		FPN 19/20	17.64	22.43	4,497	3,508		
	FPN 17/21	18.52	22.72	3,735	2,913		FPN 19/21	18.52	23.31	4,704	3,669		
	FPN 17/22	19.40	23.60	3,900	3,042		FPN 19/22	19.40	24.19	4,910	3,830		
	FPN 17/23	20.28	24.48	4,066	3,171		FPN 19/23	20.28	25.07	5,116	3,991		
	FPN 17/24	21.16	25.36	4,231	3,300		FPN 19/24	21.16	25.95	5,323	4,152		
	FPN 17/25	22.04	26.24	4,396	3,429		FPN 19/25	22.04	26.83	5,529	4,313		
	FPN 17/26	22.92	27.12	4,562	3,558		FPN 19/26	22.92	27.71	5,736	4,474		
	FPN 17/27	23.80	28.00	4,727	3,687		FPN 19/27	23.80	28.59	5,942	4,635		
	FPN 17/28	24.68	28.88	4,892	3,816		FPN 19/28	24.68	29.47	6,149	4,796		
	FPN 17/29	25.56	29.76	5,057	3,945		FPN 19/29	25.56	30.35	6,355	4,957		
	FPN 17/30	26.44	30.64	5,223	4,074		FPN 19/30	26.44	31.23	6,562	5,118		
	FPN 17/31	27.32	31.52	5,388	4,203		FPN 19/31	27.32	32.11	6,768	5,279		
	FPN 17/32	28.20	32.40	5,553	4,331		FPN 19/32	28.20	32.99	6,974	5,440		
	FPN 17/33	29.08	33.28	5,718	4,460		FPN 19/33	29.08	33.87	7,181	5,601		
	FPN 17/34	29.96	34.16	5,884	4,589		FPN 19/34	29.96	34.75	7,387	5,762		
	FPN 17/35	30.84	35.04	6,049	4,718		FPN 19/35	30.84	35.63	7,594	5,923		
	FPN 17/36	31.72	35.92	6,214	4,847		FPN 19/36	31.72	36.51	7,800	6,084		
	FPN 17/37	32.60	36.80	6,380	4,976		FPN 19/37	32.60	37.39	8,007	6,245		
	FPN 17/38	33.48	37.68	6,545	5,105		FPN 19/38	33.48	38.27	8,213	6,406		
	FPN 17/39	34.36	38.56	6,710	5,234		FPN 19/39	34.36	39.15	8,420	6,567		
	FPN 18 D=16.37 m (54 FT)	FPN 18/04	3.56	8.02	1,055		823	FPN 20 D=18.19 m (60 FT)	FPN 20/04	3.56	8.72	1,344	1,048
		FPN 18/05	4.44	8.90	1,240		967		FPN 20/05	4.44	9.60	1,573	1,227
		FPN 18/06	5.32	9.78	1,425		1,112		FPN 20/06	5.32	10.48	1,801	1,405
FPN 18/07		6.20	10.66	1,611	1,256	FPN 20/07	6.20		11.36	2,030	1,584		
FPN 18/08		7.08	11.54	1,796	1,401	FPN 20/08	7.08		12.24	2,259	1,762		
FPN 18/09		7.96	12.42	1,981	1,545	FPN 20/09	7.96		13.12	2,488	1,940		
FPN 18/10		8.84	13.30	2,166	1,690	FPN 20/10	8.84		14.00	2,716	2,119		
FPN 18/11		9.72	14.18	2,352	1,834	FPN 20/11	9.72		14.88	2,945	2,297		
FPN 18/12		10.60	15.06	2,537	1,979	FPN 20/12	10.60		15.76	3,174	2,476		
FPN 18/13		11.48	15.94	2,722	2,123	FPN 20/13	11.48		16.64	3,403	2,654		
FPN 18/14		12.36	16.82	2,908	2,268	FPN 20/14	12.36		17.52	3,631	2,833		
FPN 18/15		13.24	17.70	3,093	2,412	FPN 20/15	13.24		18.40	3,860	3,011		
FPN 18/16		14.12	18.58	3,278	2,557	FPN 20/16	14.12		19.28	4,089	3,189		
FPN 18/17		15.00	19.46	3,463	2,701	FPN 20/17	15.00		20.16	4,318	3,368		
FPN 18/18		15.88	20.35	3,649	2,846	FPN 20/18	15.88		21.04	4,546	3,546		
FPN 18/19		16.76	21.23	3,834	2,990	FPN 20/19	16.76		21.92	4,775	3,725		
FPN 18/20		17.64	22.11	4,019	3,135	FPN 20/20	17.64		22.80	5,004	3,903		
FPN 18/21		18.52	22.99	4,205	3,280	FPN 20/21	18.52		23.68	5,233	4,081		
FPN 18/22		19.40	23.87	4,390	3,424	FPN 20/22	19.40		24.56	5,461	4,260		
FPN 18/23		20.28	24.75	4,575	3,569	FPN 20/23	20.28		25.44	5,690	4,438		
FPN 18/24		21.16	25.63	4,760	3,713	FPN 20/24	21.16		26.32	5,919	4,617		
FPN 18/25		22.04	26.51	4,946	3,858	FPN 20/25	22.04		27.20	6,148	4,795		
FPN 18/26		22.92	27.39	5,131	4,002	FPN 20/26	22.92		28.08	6,376	4,974		
FPN 18/27		23.80	28.27	5,316	4,147	FPN 20/27	23.80		28.96	6,605	5,152		
FPN 18/28		24.68	29.15	5,502	4,291	FPN 20/28	24.68		29.84	6,834	5,330		
FPN 18/29		25.56	30.03	5,687	4,436	FPN 20/29	25.56		30.72	7,063	5,509		
FPN 18/30		26.44	30.91	5,872	4,580	FPN 20/30	26.44		31.60	7,291	5,687		
FPN 18/31		27.32	31.79	6,057	4,725	FPN 20/31	27.32		32.48	7,520	5,866		
FPN 18/32		28.20	32.67	6,243	4,869	FPN 20/32	28.20		33.36	7,749	6,044		
FPN 18/33		29.08	33.55	6,428	5,014	FPN 20/33	29.08		34.24	7,978	6,223		
FPN 18/34		29.96	34.43	6,613	5,158	FPN 20/34	29.96		35.12	8,206	6,401		
FPN 18/35		30.84	35.31	6,799	5,303	FPN 20/35	30.84		36.00	8,435	6,579		
FPN 18/36		31.72	36.19	6,984	5,447	FPN 20/36	31.72		36.88	8,664	6,758		
FPN 18/37		32.60	37.07	7,169	5,592	FPN 20/37	32.60		37.76	8,893	6,936		
FPN 18/38		33.48	37.95	7,354	5,736	FPN 20/38	33.48		38.64	9,121	7,115		
FPN 18/39		34.36	38.83	7,540	5,881	FPN 20/39	34.36		39.52	9,350	7,293		

FPN Flat Bottom Silos Dimensions and Capacities (Narrow Corrugation Sheet)

DIAMETER METERS (FT)	MODEL	HEIGHTS		CAPACITY		DIAMETER METERS (FT)	MODEL	HEIGHTS		CAPACITY	
		EAVES M (B)	OVERALL M (C)	M ³	TONNES			EAVES M (B)	OVERALL M (C)	M ³	TONNES
FPN 21 D=19.10 m (63 FT)	FPN 21/04	3.56	8.98	1,505	1,174	FPN 23 D=20.92 m (69 FT)	FPN 23/04	3.56	9.51	1,861	1,451
	FPN 21/05	4.44	9.86	1,757	1,370		FPN 23/05	4.44	10.39	2,163	1,687
	FPN 21/06	5.32	10.74	2,009	1,567		FPN 23/06	5.32	11.27	2,466	1,923
	FPN 21/07	6.20	11.62	2,261	1,764		FPN 23/07	6.20	12.15	2,768	2,159
	FPN 21/08	7.08	12.50	2,514	1,961		FPN 23/08	7.08	13.03	3,071	2,395
	FPN 21/09	7.96	13.38	2,766	2,157		FPN 23/09	7.96	13.91	3,373	2,631
	FPN 21/10	8.84	14.26	3,018	2,354		FPN 23/10	8.84	14.79	3,676	2,867
	FPN 21/11	9.72	15.14	3,270	2,551		FPN 23/11	9.72	15.67	3,978	3,103
	FPN 21/12	10.60	16.02	3,522	2,747		FPN 23/12	10.60	16.55	4,281	3,339
	FPN 21/13	11.48	16.90	3,775	2,944		FPN 23/13	11.48	17.43	4,583	3,575
	FPN 21/14	12.36	17.78	4,027	3,141		FPN 23/14	12.36	18.31	4,886	3,811
	FPN 21/15	13.24	18.66	4,279	3,338		FPN 23/15	13.24	19.19	5,188	4,047
	FPN 21/16	14.12	19.54	4,531	3,534		FPN 23/16	14.12	20.07	5,491	4,283
	FPN 21/17	15.00	20.42	4,783	3,731		FPN 23/17	15.00	20.95	5,793	4,519
	FPN 21/18	15.88	21.30	5,036	3,928		FPN 23/18	15.88	21.83	6,096	4,755
	FPN 21/19	16.76	22.18	5,288	4,124		FPN 23/19	16.76	22.71	6,398	4,991
	FPN 21/20	17.64	23.06	5,540	4,321		FPN 23/20	17.64	23.59	6,701	5,227
	FPN 21/21	18.52	23.94	5,792	4,518		FPN 23/21	18.52	24.47	7,003	5,463
	FPN 21/22	19.40	24.82	6,044	4,715		FPN 23/22	19.40	25.35	7,306	5,699
	FPN 21/23	20.28	25.70	6,297	4,911		FPN 23/23	20.28	26.23	7,608	5,935
FPN 21/24	21.16	26.58	6,549	5,108	FPN 23/24	21.16	27.11	7,911	6,170		
FPN 21/25	22.04	27.46	6,801	5,305	FPN 23/25	22.04	27.99	8,213	6,406		
FPN 21/26	22.92	28.34	7,053	5,501	FPN 23/26	22.92	28.87	8,516	6,642		
FPN 21/27	23.80	29.22	7,305	5,698	FPN 23/27	23.80	29.75	8,818	6,878		
FPN 21/28	24.68	30.10	7,557	5,895	FPN 23/28	24.68	30.63	9,121	7,114		
FPN 21/29	25.56	30.98	7,810	6,092	FPN 23/29	25.56	31.51	9,423	7,350		
FPN 21/30	26.44	31.86	8,062	6,288	FPN 23/30	26.44	32.39	9,726	7,586		
FPN 21/31	27.32	32.74	8,314	6,485	FPN 23/31	27.32	33.27	10,029	7,822		
FPN 21/32	28.20	33.62	8,566	6,682	FPN 23/32	28.20	34.15	10,331	8,058		
FPN 21/33	29.08	34.50	8,818	6,878	FPN 23/33	29.08	35.03	10,634	8,294		
FPN 21/34	29.96	35.38	9,071	7,075	FPN 23/34	29.96	35.91	10,936	8,530		
FPN 21/35	30.84	36.26	9,323	7,272	FPN 23/35	30.84	36.79	11,239	8,766		
FPN 21/36	31.72	37.14	9,575	7,469	FPN 23/36	31.72	37.67	11,541	9,002		
FPN 21/37	32.60	38.02	9,827	7,665	FPN 23/37	32.60	38.55	11,844	9,238		
FPN 21/38	33.48	38.90	10,079	7,862	FPN 23/38	33.48	39.43	12,146	9,474		
FPN 21/39	34.36	39.78	10,332	8,059	FPN 23/39	34.36	40.31	12,449	9,710		
FPN 22 D=20.01 m (66 FT)	FPN 22/04	3.56	9.24	1,677	1,308	FPN 24 D=21.83 m (72 FT)	FPN 24/04	3.56	9.77	2,056	1,604
	FPN 22/05	4.44	10.12	1,954	1,524		FPN 24/05	4.44	10.65	2,385	1,861
	FPN 22/06	5.32	11.00	2,230	1,740		FPN 24/06	5.32	11.53	2,715	2,118
	FPN 22/07	6.20	11.88	2,507	1,956		FPN 24/07	6.20	12.41	3,044	2,374
	FPN 22/08	7.08	12.76	2,784	2,172		FPN 24/08	7.08	13.29	3,374	2,631
	FPN 22/09	7.96	13.64	3,061	2,387		FPN 24/09	7.96	14.17	3,703	2,888
	FPN 22/10	8.84	14.52	3,338	2,603		FPN 24/10	8.84	15.05	4,032	3,145
	FPN 22/11	9.72	15.40	3,614	2,819		FPN 24/11	9.72	15.93	4,362	3,402
	FPN 22/12	10.60	16.28	3,891	3,035		FPN 24/12	10.60	16.81	4,691	3,659
	FPN 22/13	11.48	17.16	4,168	3,251		FPN 24/13	11.48	17.69	5,021	3,916
	FPN 22/14	12.36	18.04	4,445	3,467		FPN 24/14	12.36	18.57	5,350	4,173
	FPN 22/15	13.24	18.92	4,722	3,683		FPN 24/15	13.24	19.45	5,679	4,430
	FPN 22/16	14.12	19.80	4,998	3,899		FPN 24/16	14.12	20.33	6,009	4,687
	FPN 22/17	15.00	20.68	5,275	4,115		FPN 24/17	15.00	21.21	6,338	4,944
	FPN 22/18	15.88	21.56	5,552	4,330		FPN 24/18	15.88	22.09	6,668	5,201
	FPN 22/19	16.76	22.44	5,829	4,546		FPN 24/19	16.76	22.97	6,997	5,458
	FPN 22/20	17.64	23.32	6,105	4,762		FPN 24/20	17.64	23.85	7,326	5,715
	FPN 22/21	18.52	24.20	6,382	4,978		FPN 24/21	18.52	24.73	7,656	5,971
	FPN 22/22	19.40	25.08	6,659	5,194		FPN 24/22	19.40	25.61	7,985	6,228
	FPN 22/23	20.28	25.96	6,936	5,410		FPN 24/23	20.28	26.49	8,315	6,485
FPN 22/24	21.16	26.84	7,213	5,626	FPN 24/24	21.16	27.37	8,644	6,742		
FPN 22/25	22.04	27.72	7,489	5,842	FPN 24/25	22.04	28.25	8,973	6,999		
FPN 22/26	22.92	28.60	7,766	6,058	FPN 24/26	22.92	29.13	9,303	7,256		
FPN 22/27	23.80	29.49	8,043	6,273	FPN 24/27	23.80	30.01	9,632	7,513		
FPN 22/28	24.68	30.37	8,320	6,489	FPN 24/28	24.68	30.89	9,962	7,770		
FPN 22/29	25.56	31.25	8,597	6,705	FPN 24/29	25.56	31.77	10,291	8,027		
FPN 22/30	26.44	32.13	8,873	6,921	FPN 24/30	26.44	32.65	10,620	8,284		
FPN 22/31	27.32	33.01	9,150	7,137	FPN 24/31	27.32	33.53	10,950	8,541		
FPN 22/32	28.20	33.89	9,427	7,353	FPN 24/32	28.20	34.41	11,279	8,798		
FPN 22/33	29.08	34.77	9,704	7,569	FPN 24/33	29.08	35.29	11,608	9,055		
FPN 22/34	29.96	35.65	9,980	7,785	FPN 24/34	29.96	36.17	11,938	9,312		
FPN 22/35	30.84	36.53	10,257	8,001	FPN 24/35	30.84	37.05	12,267	9,568		
FPN 22/36	31.72	37.41	10,534	8,217	FPN 24/36	31.72	37.93	12,597	9,825		
FPN 22/37	32.60	38.29	10,811	8,432	FPN 24/37	32.60	38.81	12,926	10,082		
FPN 22/38	33.48	39.17	11,088	8,648	FPN 24/38	33.48	39.69	13,255	10,339		
FPN 22/39	34.36	40.05	11,364	8,864	FPN 24/39	34.36	40.57	13,585	10,596		

FPN Flat Bottom Silos Dimensions and Capacities (Narrow Corrugation Sheet)

DIAMETER METERS (FT)	MODEL	HEIGHTS		CAPACITY		DIAMETER METERS (FT)	MODEL	HEIGHTS		CAPACITY	
		EAVES M (C)	OVERALL M (C)	M ³	TONNES			EAVES M (C)	OVERALL M (C)	M ³	TONNES
FPN 25 D=22.74 m (75 FT)	FPN 25/04	3.56	10.03	2,264	1,766	FPN 27 D=24.56 m (81 FT)	FPN 27/04	3.56	10.56	2,717	2,119
	FPN 25/05	4.44	10.91	2,621	2,044		FPN 27/05	4.44	11.44	3,134	2,444
	FPN 25/06	5.32	11.79	2,978	2,323		FPN 27/06	5.32	12.32	3,550	2,769
	FPN 25/07	6.20	12.67	3,336	2,602		FPN 27/07	6.20	13.20	3,967	3,095
	FPN 25/08	7.08	13.55	3,693	2,881		FPN 27/08	7.08	14.08	4,384	3,420
	FPN 25/09	7.96	14.43	4,051	3,160		FPN 27/09	7.96	14.96	4,801	3,745
	FPN 25/10	8.84	15.31	4,408	3,438		FPN 27/10	8.84	15.84	5,218	4,070
	FPN 25/11	9.72	16.19	4,766	3,717		FPN 27/11	9.72	16.72	5,635	4,395
	FPN 25/12	10.60	17.07	5,123	3,996		FPN 27/12	10.60	17.60	6,052	4,720
	FPN 25/13	11.48	17.95	5,480	4,275		FPN 27/13	11.48	18.48	6,469	5,046
	FPN 25/14	12.36	18.83	5,838	4,554		FPN 27/14	12.36	19.36	6,886	5,371
	FPN 25/15	13.24	19.71	6,195	4,832		FPN 27/15	13.24	20.24	7,302	5,696
	FPN 25/16	14.12	20.59	6,553	5,111		FPN 27/16	14.12	21.12	7,719	6,021
	FPN 25/17	15.00	21.47	6,910	5,390		FPN 27/17	15.00	22.00	8,136	6,346
	FPN 25/18	15.88	22.35	7,267	5,669		FPN 27/18	15.88	22.88	8,553	6,671
	FPN 25/19	16.76	23.23	7,625	5,947		FPN 27/19	16.76	23.76	8,970	6,997
	FPN 25/20	17.64	24.11	7,982	6,226		FPN 27/20	17.64	24.64	9,387	7,322
	FPN 25/21	18.52	24.99	8,340	6,505		FPN 27/21	18.52	25.52	9,804	7,647
	FPN 25/22	19.40	25.87	8,697	6,784		FPN 27/22	19.40	26.40	10,221	7,972
	FPN 25/23	20.28	26.75	9,055	7,063		FPN 27/23	20.28	27.28	10,638	8,297
	FPN 25/24	21.16	27.63	9,412	7,341		FPN 27/24	21.16	28.16	11,055	8,623
	FPN 25/25	22.04	28.51	9,769	7,620		FPN 27/25	22.04	29.04	11,471	8,948
	FPN 25/26	22.92	29.39	10,127	7,899		FPN 27/26	22.92	29.92	11,888	9,273
	FPN 25/27	23.80	30.27	10,484	8,178		FPN 27/27	23.80	30.80	12,305	9,598
	FPN 25/28	24.68	31.15	10,842	8,456		FPN 27/28	24.68	31.68	12,722	9,923
	FPN 25/29	25.56	32.03	11,199	8,735		FPN 27/29	25.56	32.56	13,139	10,248
	FPN 25/30	26.44	32.91	11,556	9,014		FPN 27/30	26.44	33.44	13,556	10,574
	FPN 25/31	27.32	33.79	11,914	9,293		FPN 27/31	27.32	34.32	13,973	10,899
	FPN 25/32	28.20	34.67	12,271	9,572		FPN 27/32	28.20	35.20	14,390	11,224
	FPN 25/33	29.08	35.55	12,629	9,850		FPN 27/33	29.08	36.08	14,807	11,549
	FPN 25/34	29.96	36.43	12,986	10,129		FPN 27/34	29.96	36.96	15,223	11,874
	FPN 25/35	30.84	37.31	13,344	10,408		FPN 27/35	30.84	37.84	15,640	12,199
	FPN 25/36	31.72	38.19	13,701	10,687		FPN 27/36	31.72	38.72	16,057	12,525
	FPN 25/37	32.60	39.07	14,058	10,966		FPN 27/37	32.60	39.60	16,474	12,850
	FPN 25/38	33.48	39.95	14,416	11,244		FPN 27/38	33.48	40.48	16,891	13,175
FPN 25/39	34.36	40.83	14,773	11,523	FPN 27/39	34.36	41.36	17,308	13,500		
FPN 26 D=23.65 m (78 FT)	FPN 26/04	3.56	10.29	2,484	1,937	FPN 28 D=25.47 m (84 FT)	FPN 28/04	3.56	10.82	2,963	2,311
	FPN 26/05	4.44	11.17	2,870	2,239		FPN 28/05	4.44	11.70	3,411	2,661
	FPN 26/06	5.32	12.05	3,257	2,540		FPN 28/06	5.32	12.58	3,859	3,010
	FPN 26/07	6.20	12.93	3,644	2,842		FPN 28/07	6.20	13.46	4,308	3,360
	FPN 26/08	7.08	13.81	4,030	3,143		FPN 28/08	7.08	14.34	4,756	3,710
	FPN 26/09	7.96	14.69	4,417	3,445		FPN 28/09	7.96	15.22	5,204	4,059
	FPN 26/10	8.84	15.57	4,803	3,747		FPN 28/10	8.84	16.10	5,653	4,409
	FPN 26/11	9.72	16.45	5,190	4,048		FPN 28/11	9.72	16.98	6,101	4,759
	FPN 26/12	10.60	17.33	5,576	4,350		FPN 28/12	10.60	17.86	6,549	5,109
	FPN 26/13	11.48	18.21	5,963	4,651		FPN 28/13	11.48	18.74	6,998	5,458
	FPN 26/14	12.36	19.09	6,350	4,953		FPN 28/14	12.36	19.62	7,446	5,808
	FPN 26/15	13.24	19.97	6,736	5,254		FPN 28/15	13.24	20.50	7,894	6,158
	FPN 26/16	14.12	20.85	7,123	5,556		FPN 28/16	14.12	21.38	8,343	6,507
	FPN 26/17	15.00	21.73	7,509	5,857		FPN 28/17	15.00	22.26	8,791	6,857
	FPN 26/18	15.88	22.61	7,896	6,159		FPN 28/18	15.88	23.14	9,240	7,207
	FPN 26/19	16.76	23.49	8,283	6,460		FPN 28/19	16.76	24.02	9,688	7,557
	FPN 26/20	17.64	24.37	8,669	6,762		FPN 28/20	17.64	24.90	10,136	7,906
	FPN 26/21	18.52	25.25	9,056	7,063		FPN 28/21	18.52	25.78	10,585	8,256
	FPN 26/22	19.40	26.13	9,442	7,365		FPN 28/22	19.40	26.66	11,033	8,606
	FPN 26/23	20.28	27.01	9,829	7,666		FPN 28/23	20.28	27.54	11,481	8,955
	FPN 26/24	21.16	27.90	10,215	7,968		FPN 28/24	21.16	28.42	11,930	9,305
	FPN 26/25	22.04	28.78	10,602	8,270		FPN 28/25	22.04	29.30	12,378	9,655
	FPN 26/26	22.92	29.66	10,989	8,571		FPN 28/26	22.92	30.18	12,826	10,004
	FPN 26/27	23.80	30.54	11,375	8,873		FPN 28/27	23.80	31.06	13,275	10,354
	FPN 26/28	24.68	31.42	11,762	9,174		FPN 28/28	24.68	31.94	13,723	10,704
	FPN 26/29	25.56	32.30	12,148	9,476		FPN 28/29	25.56	32.82	14,171	11,054
	FPN 26/30	26.44	33.18	12,535	9,777		FPN 28/30	26.44	33.70	14,620	11,403
	FPN 26/31	27.32	34.06	12,921	10,079		FPN 28/31	27.32	34.58	15,068	11,753
	FPN 26/32	28.20	34.94	13,308	10,380		FPN 28/32	28.20	35.46	15,516	12,103
	FPN 26/33	29.08	35.82	13,695	10,682		FPN 28/33	29.08	36.34	15,965	12,452
	FPN 26/34	29.96	36.70	14,081	10,983		FPN 28/34	29.96	37.22	16,413	12,802
	FPN 26/35	30.84	37.58	14,468	11,285		FPN 28/35	30.84	38.10	16,861	13,152
	FPN 26/36	31.72	38.46	14,854	11,586		FPN 28/36	31.72	38.98	17,310	13,502
	FPN 26/37	32.60	39.34	15,241	11,888		FPN 28/37	32.60	39.86	17,758	13,851
	FPN 26/38	33.48	40.22	15,628	12,189		FPN 28/38	33.48	40.74	18,206	14,201
FPN 26/39	34.36	41.10	16,014	12,491	FPN 28/39	34.36	41.62	18,655	14,551		

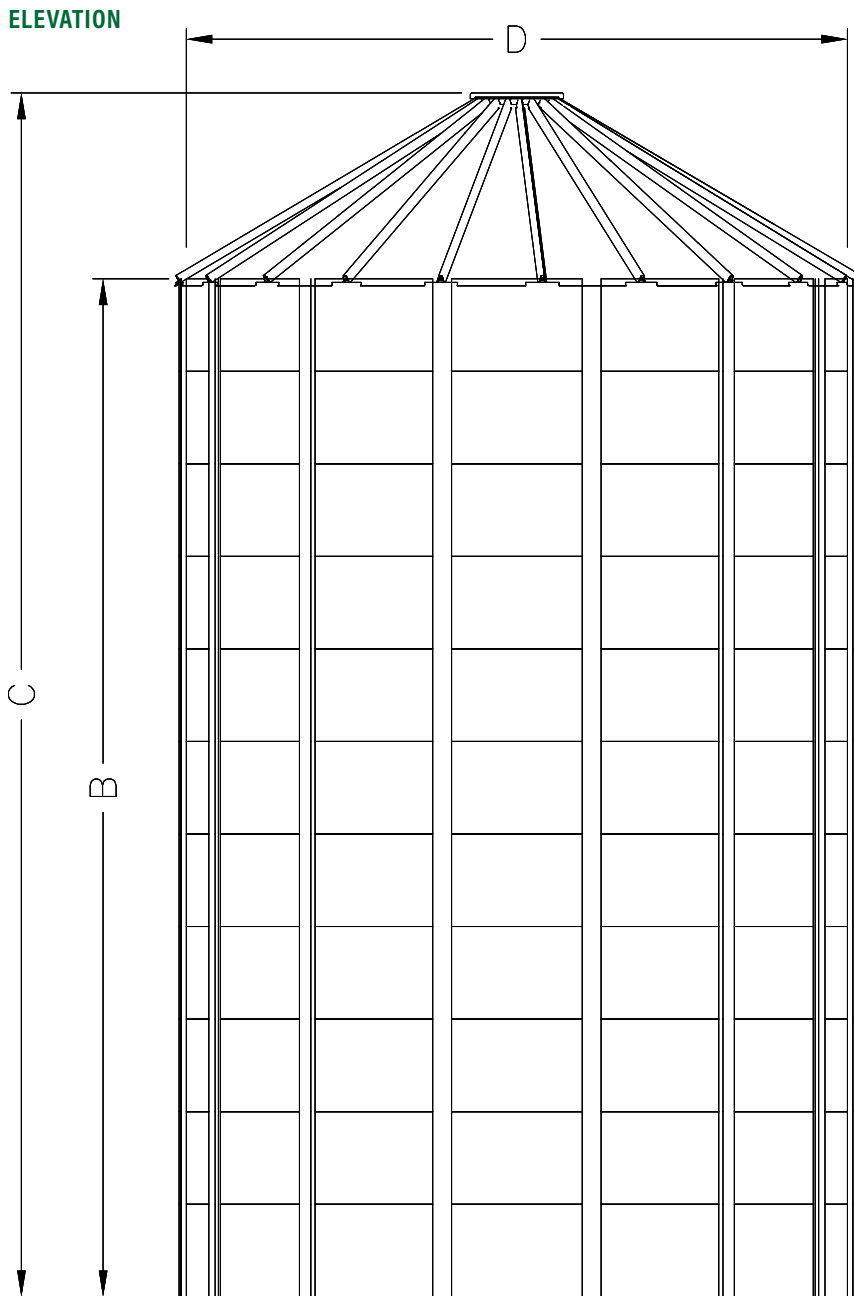
FPN Flat Bottom Silos Dimensions and Capacities (Narrow Corrugation Sheet)

DIAMETER METERS (FT)	MODEL	HEIGHTS		CAPACITY		DIAMETER METERS (FT)	MODEL	HEIGHTS		CAPACITY			
		EAVES M (C)	OVERALL M (C)	M ³	TONNES			EAVES M (C)	OVERALL M (C)	M ³	TONNES		
FPN 29 D=26.38 m (87 FT)	FPN 29/04	3.56	11.08	3,222	2,513	FPN 31 D=28.20 m (93 FT)	FPN 31/04	3.56	11.61	3,783	2,950		
	FPN 29/05	4.44	11.96	3,703	2,888		FPN 31/05	4.44	12.49	4,332	3,379		
	FPN 29/06	5.32	12.84	4,184	3,264		FPN 31/06	5.32	13.37	4,882	3,808		
	FPN 29/07	6.20	13.72	4,665	3,639		FPN 31/07	6.20	14.25	5,431	4,236		
	FPN 29/08	7.08	14.60	5,146	4,014		FPN 31/08	7.08	15.13	5,981	4,665		
	FPN 29/09	7.96	15.48	5,627	4,389		FPN 31/09	7.96	16.01	6,530	5,094		
	FPN 29/10	8.84	16.36	6,108	4,764		FPN 31/10	8.84	16.89	7,080	5,522		
	FPN 29/11	9.72	17.24	6,589	5,139		FPN 31/11	9.72	17.77	7,630	5,951		
	FPN 29/12	10.60	18.12	7,070	5,514		FPN 31/12	10.60	18.65	8,179	6,380		
	FPN 29/13	11.48	19.00	7,551	5,889		FPN 31/13	11.48	19.53	8,729	6,808		
	FPN 29/14	12.36	19.88	8,032	6,265		FPN 31/14	12.36	20.41	9,278	7,237		
	FPN 29/15	13.24	20.76	8,513	6,640		FPN 31/15	13.24	21.29	9,828	7,666		
	FPN 29/16	14.12	21.64	8,993	7,015		FPN 31/16	14.12	22.17	10,377	8,094		
	FPN 29/17	15.00	22.52	9,474	7,390		FPN 31/17	15.00	23.05	10,927	8,523		
	FPN 29/18	15.88	23.40	9,955	7,765		FPN 31/18	15.88	23.93	11,476	8,952		
	FPN 29/19	16.76	24.28	10,436	8,140		FPN 31/19	16.76	24.81	12,026	9,380		
	FPN 29/20	17.64	25.16	10,917	8,515		FPN 31/20	17.64	25.69	12,576	9,809		
	FPN 29/21	18.52	26.04	11,398	8,891		FPN 31/21	18.52	26.57	13,125	10,238		
	FPN 29/22	19.40	26.92	11,879	9,266		FPN 31/22	19.40	27.45	13,675	10,666		
	FPN 29/23	20.28	27.80	12,360	9,641		FPN 31/23	20.28	28.33	14,224	11,095		
	FPN 29/24	21.16	28.68	12,841	10,016		FPN 31/24	21.16	29.21	14,774	11,524		
	FPN 29/25	22.04	29.56	13,322	10,391		FPN 31/25	22.04	30.09	15,323	11,952		
	FPN 29/26	22.92	30.44	13,803	10,766		FPN 31/26	22.92	30.97	15,873	12,381		
	FPN 29/27	23.80	31.32	14,284	11,141		FPN 31/27	23.80	31.85	16,423	12,810		
	FPN 29/28	24.68	32.20	14,765	11,516		FPN 31/28	24.68	32.73	16,972	13,238		
	FPN 29/29	25.56	33.08	15,246	11,892		FPN 31/29	25.56	33.61	17,522	13,667		
	FPN 29/30	26.44	33.96	15,727	12,267		FPN 31/30	26.44	34.49	18,071	14,096		
	FPN 29/31	27.32	34.84	16,208	12,642		FPN 31/31	27.32	35.37	18,621	14,524		
	FPN 29/32	28.20	35.72	16,688	13,017		FPN 31/32	28.20	36.25	19,170	14,953		
	FPN 29/33	29.08	36.60	17,169	13,392		FPN 31/33	29.08	37.13	19,720	15,382		
	FPN 29/34	29.96	37.48	17,650	13,767		FPN 31/34	29.96	38.01	20,270	15,810		
	FPN 29/35	30.84	38.36	18,131	14,142		FPN 31/35	30.84	38.89	20,819	16,239		
	FPN 29/36	31.72	39.24	18,612	14,518		FPN 31/36	31.72	39.77	21,369	16,668		
	FPN 29/37	32.60	40.12	19,093	14,893		FPN 31/37	32.60	40.65	21,918	17,096		
	FPN 29/38	33.48	41.00	19,574	15,268		FPN 31/38	33.48	41.53	22,468	17,525		
	FPN 29/39	34.36	41.88	20,055	15,643		FPN 31/39	34.36	42.41	23,017	17,954		
	FPN 30 D=27.29 m (90 FT)	FPN 30/04	3.56	11.34	3,495		2,726	FPN 32 D=29.10 m (96 FT)	FPN 32/04	3.56	11.87	4,084	3,186
		FPN 30/05	4.44	12.22	4,010		3,128		FPN 32/05	4.44	12.75	4,670	3,642
		FPN 30/06	5.32	13.10	4,525		3,529		FPN 32/06	5.32	13.63	5,255	4,099
FPN 30/07		6.20	13.98	5,039	3,931	FPN 32/07	6.20		14.51	5,841	4,556		
FPN 30/08		7.08	14.86	5,554	4,332	FPN 32/08	7.08		15.39	6,427	5,013		
FPN 30/09		7.96	15.74	6,069	4,734	FPN 32/09	7.96		16.27	7,012	5,469		
FPN 30/10		8.84	16.62	6,583	5,135	FPN 32/10	8.84		17.15	7,598	5,926		
FPN 30/11		9.72	17.50	7,098	5,537	FPN 32/11	9.72		18.03	8,183	6,383		
FPN 30/12		10.60	18.38	7,613	5,938	FPN 32/12	10.60		18.91	8,769	6,840		
FPN 30/13		11.48	19.26	8,127	6,339	FPN 32/13	11.48		19.79	9,355	7,297		
FPN 30/14		12.36	20.14	8,642	6,741	FPN 32/14	12.36		20.67	9,940	7,753		
FPN 30/15		13.24	21.02	9,157	7,142	FPN 32/15	13.24		21.55	10,526	8,210		
FPN 30/16		14.12	21.90	9,672	7,544	FPN 32/16	14.12		22.43	11,111	8,667		
FPN 30/17		15.00	22.78	10,186	7,945	FPN 32/17	15.00		23.31	11,697	9,124		
FPN 30/18		15.88	23.66	10,701	8,347	FPN 32/18	15.88		24.19	12,282	9,580		
FPN 30/19		16.76	24.54	11,216	8,748	FPN 32/19	16.76		25.07	12,868	10,037		
FPN 30/20		17.64	25.42	11,730	9,150	FPN 32/20	17.64		25.95	13,454	10,494		
FPN 30/21		18.52	26.31	12,245	9,551	FPN 32/21	18.52		26.83	14,039	10,951		
FPN 30/22		19.40	27.19	12,760	9,952	FPN 32/22	19.40		27.71	14,625	11,407		
FPN 30/23		20.28	28.07	13,274	10,354	FPN 32/23	20.28		28.59	15,210	11,864		
FPN 30/24		21.16	28.95	13,789	10,755	FPN 32/24	21.16		29.47	15,796	12,321		
FPN 30/25		22.04	29.83	14,304	11,157	FPN 32/25	22.04		30.35	16,382	12,778		
FPN 30/26		22.92	30.71	14,818	11,558	FPN 32/26	22.92		31.23	16,967	13,234		
FPN 30/27		23.80	31.59	15,333	11,960	FPN 32/27	23.80		32.11	17,553	13,691		
FPN 30/28		24.68	32.47	15,848	12,361	FPN 32/28	24.68		32.99	18,138	14,148		
FPN 30/29		25.56	33.35	16,362	12,763	FPN 32/29	25.56		33.87	18,724	14,605		
FPN 30/30		26.44	34.23	16,877	13,164	FPN 32/30	26.44		34.75	19,310	15,061		
FPN 30/31		27.32	35.11	17,392	13,566	FPN 32/31	27.32		35.63	19,895	15,518		
FPN 30/32		28.20	35.99	17,906	13,967	FPN 32/32	28.20		36.51	20,481	15,975		
FPN 30/33		29.08	36.87	18,421	14,368	FPN 32/33	29.08		37.39	21,066	16,432		
FPN 30/34		29.96	37.75	18,936	14,770	FPN 32/34	29.96		38.27	21,652	16,889		
FPN 30/35		30.84	38.63	19,450	15,171	FPN 32/35	30.84		39.15	22,238	17,345		
FPN 30/36		31.72	39.51	19,965	15,573	FPN 32/36	31.72		40.03	22,823	17,802		
FPN 30/37		32.60	40.39	20,480	15,974	FPN 32/37	32.60		40.91	23,409	18,259		
FPN 30/38		33.48	41.27	20,994	16,376	FPN 32/38	33.48		41.79	23,994	18,716		
FPN 30/39		34.36	42.15	21,509	16,777	FPN 32/39	34.36		42.67	24,580	19,172		

FPN Flat Bottom Silos Dimensions and Capacities (Narrow Corrugation Sheet)

DIAMETER METERS (FT)	MODEL	HEIGHTS		CAPACITY		DIAMETER METERS (FT)	MODEL	HEIGHTS		CAPACITY		
		EAVES M (B)	OVERALL M (C)	M ³	TONNES			EAVES M (B)	OVERALL M (C)	M ³	TONNES	
FPN 33 D=30.02 m (99 FT)	FPN 33/04	3.56	12.07	4,400	3,432	FPN 35 D=31.83 m (105 FT)	FPN 35/04	3.56	12.60	5,078	3,961	
	FPN 33/05	4.44	12.95	5,023	3,918		FPN 35/05	4.44	13.48	5,779	4,508	
	FPN 33/06	5.32	13.83	5,646	4,404		FPN 35/06	5.32	14.36	6,479	5,054	
	FPN 33/07	6.20	14.71	6,269	4,890		FPN 35/07	6.20	15.24	7,180	5,600	
	FPN 33/08	7.08	15.59	6,892	5,375		FPN 35/08	7.08	16.12	7,881	6,147	
	FPN 33/09	7.96	16.47	7,514	5,861		FPN 35/09	7.96	17.00	8,581	6,693	
	FPN 33/10	8.84	17.35	8,137	6,347		FPN 35/10	8.84	17.88	9,282	7,240	
	FPN 33/11	9.72	18.23	8,760	6,833		FPN 35/11	9.72	18.76	9,982	7,786	
	FPN 33/12	10.60	19.11	9,383	7,318		FPN 35/12	10.60	19.64	10,683	8,332	
	FPN 33/13	11.48	19.99	10,005	7,804		FPN 35/13	11.48	20.52	11,383	8,879	
	FPN 33/14	12.36	20.87	10,628	8,290		FPN 35/14	12.36	21.40	12,084	9,425	
	FPN 33/15	13.24	21.75	11,251	8,776		FPN 35/15	13.24	22.28	12,784	9,972	
	FPN 33/16	14.12	22.63	11,874	9,261		FPN 35/16	14.12	23.16	13,485	10,518	
	FPN 33/17	15.00	23.51	12,496	9,747		FPN 35/17	15.00	24.04	14,185	11,065	
	FPN 33/18	15.88	24.39	13,119	10,233		FPN 35/18	15.88	24.92	14,886	11,611	
	FPN 33/19	16.76	25.27	13,742	10,719		FPN 35/19	16.76	25.80	15,586	12,157	
	FPN 33/20	17.64	26.15	14,365	11,204		FPN 35/20	17.64	26.68	16,287	12,704	
	FPN 33/21	18.52	27.03	14,987	11,690		FPN 35/21	18.52	27.56	16,987	13,250	
	FPN 33/22	19.40	27.91	15,610	12,176		FPN 35/22	19.40	28.44	17,688	13,797	
	FPN 33/23	20.28	28.79	16,233	12,662		FPN 35/23	20.28	29.32	18,389	14,343	
	FPN 33/24	21.16	29.67	16,856	13,147		FPN 35/24	21.16	30.20	19,089	14,889	
	FPN 33/25	22.04	30.55	17,478	13,633		FPN 35/25	22.04	31.08	19,790	15,436	
	FPN 33/26	22.92	31.43	18,101	14,119		FPN 35/26	22.92	31.96	20,490	15,982	
	FPN 33/27	23.80	32.31	18,724	14,605		FPN 35/27	23.80	32.84	21,191	16,529	
	FPN 33/28	24.68	33.19	19,347	15,090		FPN 35/28	24.68	33.72	21,891	17,075	
	FPN 33/29	25.56	34.07	19,970	15,576		FPN 35/29	25.56	34.60	22,592	17,622	
	FPN 33/30	26.44	34.95	20,592	16,062		FPN 35/30	26.44	35.48	23,292	18,168	
	FPN 33/31	27.32	35.83	21,215	16,548		FPN 35/31	27.32	36.36	23,993	18,714	
	FPN 33/32	28.20	36.71	21,838	17,034		FPN 35/32	28.20	37.24	24,693	19,261	
	FPN 33/33	29.08	37.60	22,461	17,519		FPN 35/33	29.08	38.12	25,394	19,807	
	FPN 33/34	29.96	38.48	23,083	18,005		FPN 35/34	29.96	39.00	26,094	20,354	
	FPN 33/35	30.84	39.36	23,706	18,491		FPN 35/35	30.84	39.88	26,795	20,900	
	FPN 33/36	31.72	40.24	24,329	18,977		FPN 35/36	31.72	40.76	27,496	21,447	
	FPN 33/37	32.60	41.12	24,952	19,462		FPN 35/37	32.60	41.64	28,196	21,993	
	FPN 33/38	33.48	42.00	25,574	19,948		FPN 35/38	33.48	42.52	28,897	22,539	
	FPN 33/39	34.36	42.88	26,197	20,434		FPN 36/04	3.56	12.86	5,441	4,244	
	FPN 34 D=30.92 m (102 FT)	FPN 34/04	3.56	12.33	4,732		3,691	FPN 36/05	4.44	13.74	6,182	4,822
		FPN 34/05	4.44	13.21	5,393		4,206	FPN 36/06	5.32	14.62	6,923	5,400
FPN 34/06		5.32	14.09	6,054	4,722	FPN 36/07	6.20	15.50	7,664	5,978		
FPN 34/07		6.20	14.98	6,715	5,238	FPN 36/08	7.08	16.38	8,405	6,556		
FPN 34/08		7.08	15.86	7,376	5,753	FPN 36/09	7.96	17.26	9,146	7,134		
FPN 34/09		7.96	16.74	8,037	6,269	FPN 36/10	8.84	18.14	9,887	7,712		
FPN 34/10		8.84	17.62	8,698	6,785	FPN 36/11	9.72	19.02	10,629	8,290		
FPN 34/11		9.72	18.50	9,359	7,300	FPN 36/12	10.60	19.90	11,370	8,868		
FPN 34/12		10.60	19.38	10,020	7,816	FPN 36/13	11.48	20.78	12,111	9,446		
FPN 34/13		11.48	20.26	10,681	8,332	FPN 36/14	12.36	21.66	12,852	10,025		
FPN 34/14		12.36	21.14	11,343	8,847	FPN 36/15	13.24	22.54	13,593	10,603		
FPN 34/15		13.24	22.02	12,004	9,363	FPN 36/16	14.12	23.42	14,334	11,181		
FPN 34/16		14.12	22.90	12,665	9,878	FPN 36/17	15.00	24.30	15,075	11,759		
FPN 34/17		15.00	23.78	13,326	10,394	FPN 36/18	15.88	25.18	15,817	12,337		
FPN 34/18		15.88	24.66	13,987	10,910	FPN 36/19	16.76	26.06	16,558	12,915		
FPN 34/19		16.76	25.54	14,648	11,425	FPN 36/20	17.64	26.94	17,299	13,493		
FPN 34/20		17.64	26.42	15,309	11,941	FPN 36/21	18.52	27.82	18,040	14,071		
FPN 34/21		18.52	27.30	15,970	12,457	FPN 36/22	19.40	28.70	18,781	14,649		
FPN 34/22		19.40	28.18	16,631	12,972	FPN 36/23	20.28	29.58	19,522	15,227		
FPN 34/23		20.28	29.06	17,292	13,488	FPN 36/24	21.16	30.46	20,263	15,805		
FPN 34/24		21.16	29.94	17,953	14,004	FPN 36/25	22.04	31.34	21,004	16,384		
FPN 34/25		22.04	30.82	18,614	14,519	FPN 36/26	22.92	32.22	21,746	16,962		
FPN 34/26		22.92	31.70	19,275	15,035	FPN 36/27	23.80	33.10	22,487	17,540		
FPN 34/27		23.80	32.58	19,937	15,551	FPN 36/28	24.68	33.98	23,228	18,118		
FPN 34/28		24.68	33.46	20,598	16,066	FPN 36/29	25.56	34.86	23,969	18,696		
FPN 34/29		25.56	34.34	21,259	16,582	FPN 36/30	26.44	35.74	24,710	19,274		
FPN 34/30		26.44	35.22	21,920	17,097	FPN 36/31	27.32	36.62	25,451	19,852		
FPN 34/31		27.32	36.10	22,581	17,613	FPN 36/32	28.20	37.50	26,192	20,430		
FPN 34/32		28.20	36.98	23,242	18,129	FPN 36/33	29.08	38.38	26,934	21,008		
FPN 34/33		29.08	37.86	23,903	18,644	FPN 36/34	29.96	39.26	27,675	21,586		
FPN 34/34		29.96	38.74	24,564	19,160	FPN 36/35	30.84	40.14	28,416	22,164		
FPN 34/35		30.84	39.62	25,225	19,676							
FPN 34/36		31.72	40.50	25,886	20,191							
FPN 34/37		32.60	41.38	26,547	20,707							
FPN 34/38		33.48	42.26	27,208	21,223							
FPN 34/39		34.36	43.14	27,869	21,738							

FPN Flat Bottom Silos Dimensions and Capacities (Narrow Corrugation Sheet)



Note

1. Heights may be increased or decreased depending on the silo's location.
2. Capacities are to be considered only COMPELLING.
3. The maximum number of rings is relative to standard industrial practice and may vary from 1000 N/m² for design wind pressure and for seismic.

ROMANIA - 211.000 T

FC45N Hopper Silos Dimensions and Capacities (Narrow Corrugation Sheet)

DIAMETER METERS (FT)	MODEL	HEIGHTS			CAPACITY		DIAMETER METERS (FT)	MODEL	HEIGHTS			CAPACITY		
		STRUCTURES M (A)	EAVES M (B)	OVERALL M (C)	M ³	TONNES			STRUCTURES M (A)	EAVES M (B)	OVERALL M (C)	M ³	TONNES	
FC45N 04 D=3.64 m (12 FT)	FC45N 04/04	2.49	6.05	7.04	47	36	FC45N 06 D=5.46 m (18 FT)	FC45N 06/04	3.39	6.95	8.46	116	90	
	FC45N 04/05	2.49	6.92	7.91	56	44		FC45N 06/05	3.39	7.83	9.34	136	106	
	FC45N 04/06	2.49	7.80	8.79	65	51		FC45N 06/06	3.39	8.71	10.22	157	122	
	FC45N 04/07	2.49	8.68	9.67	74	58		FC45N 06/07	3.39	9.59	11.10	178	139	
	FC45N 04/08	2.49	9.56	10.55	83	65		FC45N 06/08	3.39	10.47	11.98	198	155	
	FC45N 04/09	2.49	10.44	11.43	92	72		FC45N 06/09	3.39	11.35	12.86	219	171	
	FC45N 04/10	2.49	11.32	12.31	102	79		FC45N 06/10	3.39	12.23	13.74	239	187	
	FC45N 04/11	2.49	12.20	13.19	111	86		FC45N 06/11	3.39	13.11	14.62	260	203	
	FC45N 04/12	2.49	13.08	14.07	120	93		FC45N 06/12	3.39	13.99	15.50	281	219	
	FC45N 04/13	2.49	13.96	14.95	129	101		FC45N 06/13	3.39	14.87	16.38	301	235	
	FC45N 04/14	2.49	14.84	15.83	138	108		FC45N 06/14	3.39	15.75	17.26	322	251	
	FC45N 04/15	2.49	15.72	16.71	147	115		FC45N 06/15	3.39	16.63	18.14	342	267	
	FC45N 05 D=4.55 m (15 FT)	FC45N 05/04	2.93	6.48	7.73	77		60	FC45N 06/16	3.39	17.51	19.02	363	283
		FC45N 05/05	2.93	7.37	8.62	91		71	FC45N 06/17	3.39	18.39	19.90	383	299
		FC45N 05/06	2.93	8.25	9.50	105		82	FC45N 06/18	3.39	19.27	20.78	404	315
FC45N 05/07		2.93	9.13	10.38	120	93	FC45N 06/19	3.39	20.15	21.66	425	331		
FC45N 05/08		2.93	10.01	11.26	134	104	FC45N 06/20	3.39	21.03	22.54	445	347		
FC45N 05/09		2.93	10.89	12.14	148	116	FC45N 06/21	3.39	21.91	23.42	466	363		
FC45N 05/10		2.93	11.77	13.02	162	127	FC45N 06/22	3.39	22.79	24.30	486	379		
FC45N 05/11		2.93	12.65	13.90	177	138	FC45N 06/23	3.39	23.67	25.18	507	395		
FC45N 05/12		2.93	13.53	14.78	191	149	FC45N 06/24	3.39	24.55	26.06	528	412		
FC45N 05/13		2.93	14.41	15.66	205	160	FC45N 07 D=6.37 m (21 FT)	FC45N 07/04	3.84	7.39	9.17	165	129	
FC45N 05/14		2.93	15.29	16.54	220	171		FC45N 07/05	3.84	8.28	10.06	193	151	
FC45N 05/15		2.93	16.17	17.42	234	182		FC45N 07/06	3.84	9.16	10.94	221	172	
FC45N 05/16		2.93	17.05	18.30	248	194		FC45N 07/07	3.84	10.04	11.82	249	194	
FC45N 05/17		2.93	17.93	19.18	263	205		FC45N 07/08	3.84	10.92	12.70	277	216	
FC45N 05/18		2.93	18.81	20.07	277	216		FC45N 07/09	3.84	11.80	13.58	305	238	
FC45N 05/19	2.93	19.69	20.95	291	227	FC45N 07/10		3.84	12.68	14.46	333	260		
FC45N 05/20	2.93	20.57	21.83	305	238	FC45N 07/11		3.84	13.56	15.34	361	282		
						FC45N 07/12		3.84	14.44	16.22	389	304		
						FC45N 07/13		3.84	15.32	17.10	417	325		
						FC45N 07/14		3.84	16.20	17.98	445	347		
						FC45N 07/15		3.84	17.08	18.86	473	369		
						FC45N 07/16		3.84	17.96	19.74	501	391		
						FC45N 07/17		3.84	18.84	20.62	529	413		
						FC45N 07/18		3.84	19.72	21.50	557	435		
						FC45N 07/19	3.84	20.60	22.38	585	457			
						FC45N 07/20	3.84	21.48	23.26	613	478			
						FC45N 07/21	3.84	22.36	24.14	641	500			
						FC45N 07/22	3.84	23.24	25.02	669	522			
						FC45N 07/23	3.84	24.12	25.90	697	544			
						FC45N 07/24	3.84	25.00	26.78	725	566			
						FC45N 07/25	3.84	25.88	27.66	754	588			
						FC45N 07/26	3.84	26.76	28.53	782	610			
						FC45N 07/27	3.84	27.64	29.41	810	631			
						FC45N 07/28	3.84	28.52	30.29	838	653			
						FC45N 07/29	3.84	29.40	31.17	866	675			
						FC45N 07/30	3.84	30.28	32.05	894	697			

Note

1. Heights might be subjected to +/- 0,030 m variation depending on the site conditions
2. Capacities are to be considered UNCOMPACTED
3. The maximum number of rings is referred to standard ambiental data: 73,6 daN/m² for snow; 100daN/m² for design wind pressure; 0,00g for seismic

FC45N Hopper Silos Dimensions and Capacities (Narrow Corrugation Sheet)

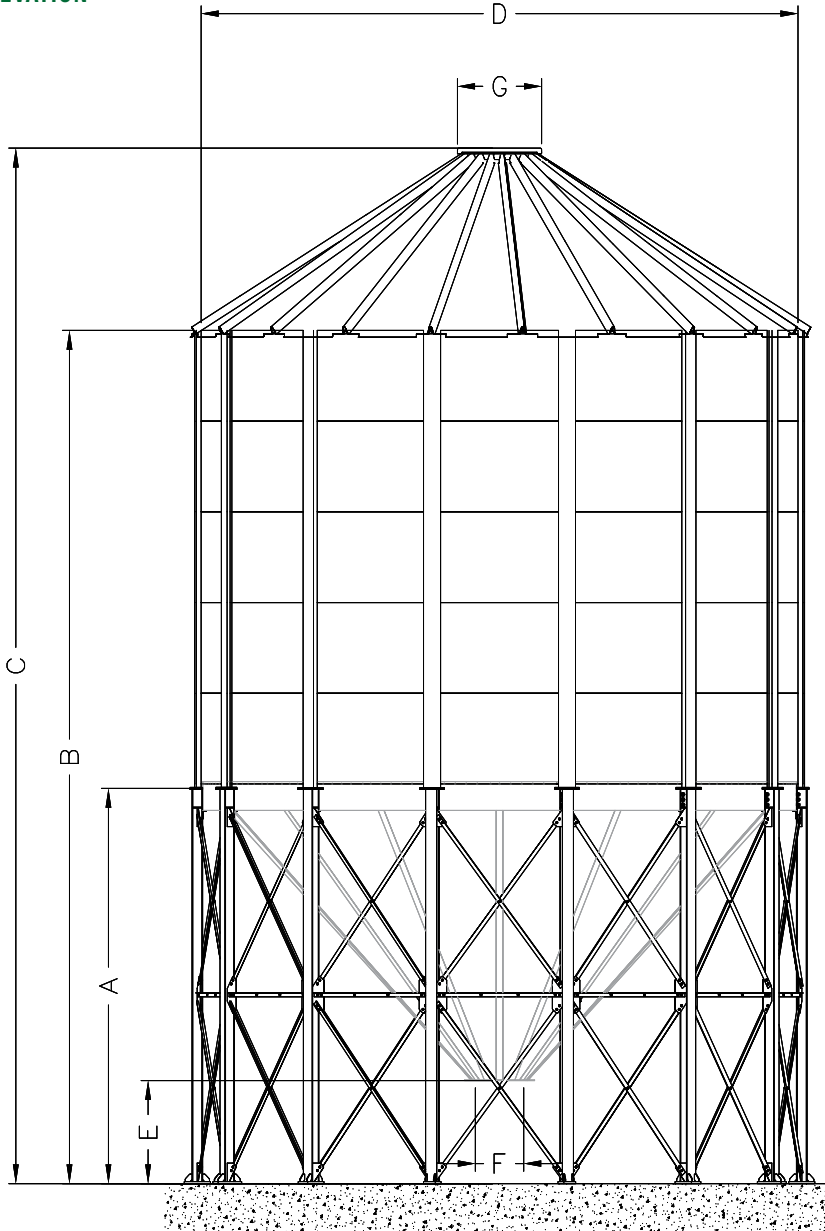
DIAMETER METERS (FT)	MODEL	HEIGHTS			CAPACITY		DIAMETER METERS (FT)	MODEL	HEIGHTS			CAPACITY			
		STRUCTURES M (A)	EAVES M (B)	OVERALL M (C)	M ³	TONNES			STRUCTURES M (A)	EAVES M (B)	OVERALL M (C)	M ³	TONNES		
FC45N 08 D=7.28 m (24 FT)	FC45N 08/04	4.29	7.85	9.89	225	176	FC45N 10 D=9.10 m (30 FT)	FC45N 10/04	5.84	9.39	11.82	391	305		
	FC45N 08/05	4.29	8.74	10.78	262	204		FC45N 10/05	5.84	10.28	12.70	448	350		
	FC45N 08/06	4.29	9.62	11.66	298	233		FC45N 10/06	5.84	11.16	13.58	506	394		
	FC45N 08/07	4.29	10.50	12.54	335	261		FC45N 10/07	5.84	12.04	14.46	563	439		
	FC45N 08/08	4.29	11.38	13.42	372	290		FC45N 10/08	5.84	12.92	15.34	620	484		
	FC45N 08/09	4.29	12.26	14.30	408	318		FC45N 10/09	5.84	13.80	16.22	677	528		
	FC45N 08/10	4.29	13.14	15.18	445	347		FC45N 10/10	5.84	14.68	17.10	734	573		
	FC45N 08/11	4.29	14.02	16.06	481	376		FC45N 10/11	5.84	15.56	17.98	792	617		
	FC45N 08/12	4.29	14.90	16.94	518	404		FC45N 10/12	5.84	16.44	18.86	849	662		
	FC45N 08/13	4.29	15.78	17.82	555	433		FC45N 10/13	5.84	17.32	19.74	906	707		
	FC45N 08/14	4.29	16.66	18.70	591	461		FC45N 10/14	5.84	18.20	20.62	963	751		
	FC45N 08/15	4.29	17.54	19.58	628	490		FC45N 10/15	5.84	19.08	21.50	1,020	796		
	FC45N 08/16	4.29	18.42	20.46	664	518		FC45N 10/16	5.84	19.97	22.39	1,078	841		
	FC45N 08/17	4.29	19.30	21.34	701	547		FC45N 10/17	5.84	20.85	23.27	1,135	886		
	FC45N 08/18	4.29	20.18	22.22	738	575		FC45N 10/18	5.84	21.73	24.15	1,192	930		
	FC45N 08/19	4.29	21.06	23.10	774	604		FC45N 10/19	5.84	22.61	25.03	1,250	975		
	FC45N 08/20	4.29	21.94	23.98	811	632		FC45N 10/20	5.84	23.49	25.91	1,307	1,019		
	FC45N 08/21	4.29	22.82	24.86	847	661		FC45N 10/21	5.84	24.37	26.79	1,364	1,064		
	FC45N 08/22	4.29	23.70	25.74	884	690		FC45N 10/22	5.84	25.25	27.67	1,421	1,109		
	FC45N 08/23	4.29	24.58	26.62	921	718		FC45N 10/23	5.84	26.13	28.55	1,478	1,153		
	FC45N 08/24	4.29	25.46	27.50	957	747		FC45N 10/24	5.84	27.01	29.43	1,536	1,198		
	FC45N 08/25	4.29	26.34	28.38	994	775		FC45N 10/25	5.84	27.89	30.31	1,593	1,242		
	FC45N 08/26	4.29	27.22	29.25	1,030	804		FC45N 10/26	5.84	28.77	31.19	1,650	1,287		
	FC45N 08/27	4.29	28.10	30.13	1,067	832		FC45N 10/27	5.84	29.65	32.07	1,707	1,332		
	FC45N 08/28	4.29	28.98	31.01	1,104	861		FC45N 10/28	5.84	30.53	32.95	1,764	1,376		
	FC45N 08/29	4.29	29.86	31.89	1,140	889		FC45N 10/29	5.84	31.41	33.83	1,822	1,421		
	FC45N 08/30	4.29	30.74	32.77	1,177	918		FC45N 10/30	5.84	32.29	34.71	1,879	1,465		
	FC45N 09 D=8.19 m (27 FT)	FC45N 09/04	5.29	8.85	11.15	303		236	FC45N 11 D=10.01 m (33 FT)	FC45N 11/04	6.31	9.87	12.56	492	384
		FC45N 09/05	5.29	9.53	11.83	349		272		FC45N 11/05	6.31	10.74	13.43	562	438
		FC45N 09/06	5.29	10.41	12.71	395		308		FC45N 11/06	6.31	11.62	14.31	631	492
FC45N 09/07		5.29	11.29	13.59	442	344	FC45N 11/07	6.31		12.50	15.19	700	546		
FC45N 09/08		5.29	12.17	14.47	488	381	FC45N 11/08	6.31		13.38	16.07	769	600		
FC45N 09/09		5.29	13.05	15.35	534	417	FC45N 11/09	6.31		14.26	16.95	838	654		
FC45N 09/10		5.29	13.93	16.23	580	453	FC45N 11/10	6.31		15.14	17.83	908	708		
FC45N 09/11		5.29	14.81	17.11	627	489	FC45N 11/11	6.31		16.02	18.71	977	762		
FC45N 09/12		5.29	15.69	17.99	673	525	FC45N 11/12	6.31		16.90	19.59	1,046	816		
FC45N 09/13		5.29	16.57	18.87	719	561	FC45N 11/13	6.31		17.78	20.47	1,115	870		
FC45N 09/14		5.29	17.45	19.75	766	597	FC45N 11/14	6.31		18.66	21.35	1,184	924		
FC45N 09/15		5.29	18.33	20.63	812	633	FC45N 11/15	6.31		19.54	22.23	1,254	978		
FC45N 09/16		5.29	19.21	21.51	858	670	FC45N 11/16	6.31		20.43	23.12	1,324	1,032		
FC45N 09/17		5.29	20.09	22.39	905	706	FC45N 11/17	6.31		21.31	24.00	1,393	1,086		
FC45N 09/18		5.29	20.97	23.27	951	742	FC45N 11/18	6.31		22.19	24.88	1,462	1,140		
FC45N 09/19		5.29	21.85	24.15	997	778	FC45N 11/19	6.31		23.07	25.76	1,531	1,194		
FC45N 09/20		5.29	22.73	25.03	1,044	814	FC45N 11/20	6.31		23.95	26.64	1,600	1,248		
FC45N 09/21		5.29	23.61	25.91	1,090	850	FC45N 11/21	6.31		24.83	27.52	1,670	1,302		
FC45N 09/22		5.29	24.49	26.79	1,136	886	FC45N 11/22	6.31		25.71	28.40	1,739	1,356		
FC45N 09/23		5.29	25.37	27.67	1,183	922	FC45N 11/23	6.31		26.59	29.28	1,808	1,410		
FC45N 09/24		5.29	26.25	28.56	1,229	959	FC45N 11/24	6.31		27.47	30.16	1,877	1,464		
FC45N 09/25		5.29	27.13	29.44	1,275	995	FC45N 11/25	6.31		28.35	31.04	1,946	1,518		
FC45N 09/26		5.29	28.01	30.32	1,322	1,031	FC45N 11/26	6.31		29.23	31.92	2,016	1,572		
FC45N 09/27		5.29	28.89	31.20	1,368	1,067	FC45N 11/27	6.31		30.11	32.80	2,085	1,626		
FC45N 09/28		5.29	29.77	32.08	1,414	1,103	FC45N 11/28	6.31		30.99	33.68	2,154	1,680		
FC45N 09/29		5.29	30.65	32.96	1,461	1,139	FC45N 11/29	6.31		31.87	34.56	2,223	1,734		
FC45N 09/30		5.29	31.53	33.84	1,507	1,175	FC45N 11/30	6.31		32.75	35.44	2,292	1,788		

FC45N Hopper Silos Dimensions and Capacities (Narrow Corrugation Sheet)

DIAMETER METERS (FT)	MODEL	HEIGHTS			CAPACITY		DIAMETER METERS (FT)	MODEL	HEIGHTS			CAPACITY			
		STRUCTURES M (A)	EAVES M (B)	OVERALL M (C)	M ³	TONNES			STRUCTURES M (A)	EAVES M (B)	OVERALL M (C)	M ³	TONNES		
FC45N 12 D=10.91 m (36 FT)	FC45N 12/04	6.82	10.38	13.33	609	475	FC45N 14 D=12.73 m (42 FT)	FC45N 14/04	7.71	11.27	14.74	891	695		
	FC45N 12/05	6.82	11.21	14.15	691	539		FC45N 14/05	7.71	12.15	15.62	1,004	783		
	FC45N 12/06	6.82	12.09	15.03	773	603		FC45N 14/06	7.71	13.03	16.50	1,116	870		
	FC45N 12/07	6.82	12.97	15.91	856	667		FC45N 14/07	7.71	13.91	17.38	1,228	958		
	FC45N 12/08	6.82	13.85	16.79	938	732		FC45N 14/08	7.71	14.79	18.26	1,340	1,045		
	FC45N 12/09	6.82	14.73	17.68	1,020	796		FC45N 14/09	7.71	15.67	19.14	1,452	1,132		
	FC45N 12/10	6.82	15.61	18.56	1,103	860		FC45N 14/10	7.71	16.55	20.02	1,564	1,220		
	FC45N 12/11	6.82	16.49	19.44	1,185	924		FC45N 14/11	7.71	17.43	20.90	1,676	1,307		
	FC45N 12/12	6.82	17.37	20.32	1,267	989		FC45N 14/12	7.71	18.31	21.78	1,788	1,395		
	FC45N 12/13	6.82	18.25	21.20	1,350	1,053		FC45N 14/13	7.71	19.19	22.66	1,900	1,482		
	FC45N 12/14	6.82	19.13	22.08	1,432	1,117		FC45N 14/14	7.71	20.07	23.54	2,012	1,570		
	FC45N 12/15	6.82	20.01	22.96	1,515	1,181		FC45N 14/15	7.71	20.95	24.42	2,124	1,657		
	FC45N 12/16	6.82	20.90	23.85	1,598	1,247		FC45N 14/16	7.71	21.84	25.31	2,238	1,745		
	FC45N 12/17	6.82	21.78	24.73	1,681	1,311		FC45N 14/17	7.71	22.72	26.19	2,350	1,833		
	FC45N 12/18	6.82	22.66	25.61	1,763	1,375		FC45N 14/18	7.71	23.60	27.07	2,462	1,920		
	FC45N 12/19	6.82	23.54	26.49	1,845	1,439		FC45N 14/19	7.71	24.48	27.95	2,574	2,008		
	FC45N 12/20	6.82	24.42	27.37	1,928	1,504		FC45N 14/20	7.71	25.36	28.83	2,686	2,095		
	FC45N 12/21	6.82	25.30	28.25	2,010	1,568		FC45N 14/21	7.71	26.24	29.71	2,798	2,183		
	FC45N 12/22	6.82	26.18	29.13	2,092	1,632		FC45N 14/22	7.71	27.12	30.59	2,910	2,270		
	FC45N 12/23	6.82	27.06	30.01	2,175	1,696		FC45N 14/23	7.71	28.00	31.47	3,022	2,357		
	FC45N 12/24	6.82	27.94	30.89	2,257	1,761		FC45N 14/24	7.71	28.88	32.35	3,134	2,445		
	FC45N 12/25	6.82	28.82	31.77	2,339	1,825		FC45N 14/25	7.71	29.76	33.23	3,247	2,532		
	FC45N 12/26	6.82	29.70	32.65	2,422	1,889		FC45N 14/26	7.71	30.64	34.11	3,359	2,620		
	FC45N 12/27	6.82	30.58	33.53	2,504	1,953		FC45N 14/27	7.71	31.52	34.99	3,471	2,707		
	FC45N 12/28	6.82	31.46	34.41	2,586	2,017		FC45N 14/28	7.71	32.40	35.87	3,583	2,795		
	FC45N 12/29	6.82	32.34	35.29	2,669	2,082		FC45N 14/29	7.71	33.28	36.75	3,695	2,882		
	FC45N 12/30	6.82	33.22	36.17	2,751	2,146		FC45N 14/30	7.71	34.16	37.63	3,807	2,969		
	FC45N 13 D=11.82 m (39 FT)	FC45N 13/04	7.27	10.82	14.03	743		580							
		FC45N 13/05	7.27	11.69	14.90	840		655							
		FC45N 13/06	7.27	12.57	15.78	936		730							
FC45N 13/07		7.27	13.45	16.66	1,033	806									
FC45N 13/08		7.27	14.33	17.54	1,130	881									
FC45N 13/09		7.27	15.21	18.42	1,226	957									
FC45N 13/10		7.27	16.09	19.30	1,323	1,032									
FC45N 13/11		7.27	16.97	20.18	1,420	1,107									
FC45N 13/12		7.27	17.85	21.06	1,516	1,183									
FC45N 13/13		7.27	18.73	21.94	1,613	1,258									
FC45N 13/14		7.27	19.61	22.82	1,710	1,333									
FC45N 13/15		7.27	20.49	23.70	1,806	1,409									
FC45N 13/16		7.27	21.38	24.59	1,904	1,485									
FC45N 13/17		7.27	22.26	25.47	2,001	1,560									
FC45N 13/18		7.27	23.14	26.35	2,097	1,636									
FC45N 13/19		7.27	24.02	27.23	2,194	1,711									
FC45N 13/20		7.27	24.90	28.11	2,291	1,787									
FC45N 13/21		7.27	25.78	28.99	2,387	1,862									
FC45N 13/22		7.27	26.66	29.87	2,484	1,937									
FC45N 13/23		7.27	27.54	30.75	2,581	2,013									
FC45N 13/24		7.27	28.42	31.63	2,677	2,088									
FC45N 13/25		7.27	29.30	32.51	2,774	2,164									
FC45N 13/26		7.27	30.18	33.39	2,870	2,239									
FC45N 13/27		7.27	31.06	34.27	2,967	2,314									
FC45N 13/28		7.27	31.94	35.15	3,064	2,390									
FC45N 13/29		7.27	32.82	36.03	3,160	2,465									
FC45N 13/30		7.27	33.70	36.91	3,257	2,540									

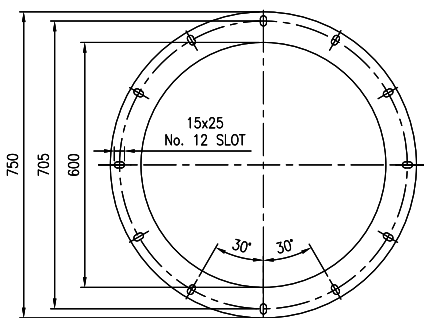
FC45N Hopper Silos Dimensions and Capacities (Narrow Corrugation Sheet)

ELEVATION



LEGEND AND DETAILS

- A = Structure height
- B = Height to eave
- C = Overall height
- D = Bin sheets mean diameter
- E = Outlet collar clearance for FC-45 from mod. 04 to 08 = 1.00 m and from mod. 09 to 14 = 1.45 m
- F* = Outlet collar inside diameter = 600 mm
- G* = Roof cap diameter = 900 mm
(max. diam. of inlet pipe 420 mm)
- * = Fixed dimensions



HOPPER OUTLET DETAIL

Note

1. Heights might be subjected to +/- 0,030 m variation depending on the site conditions
2. Capacities are to be considered UNCOMPACTED
3. The maximum number of rings is referred to standard ambiantal data: 73,6 daN/m² for snow; 100daN/m² for design wind pressure; 0,00g for seismic

FC60N Hopper Silos Dimensions and Capacities (Narrow Corrugation Sheet)

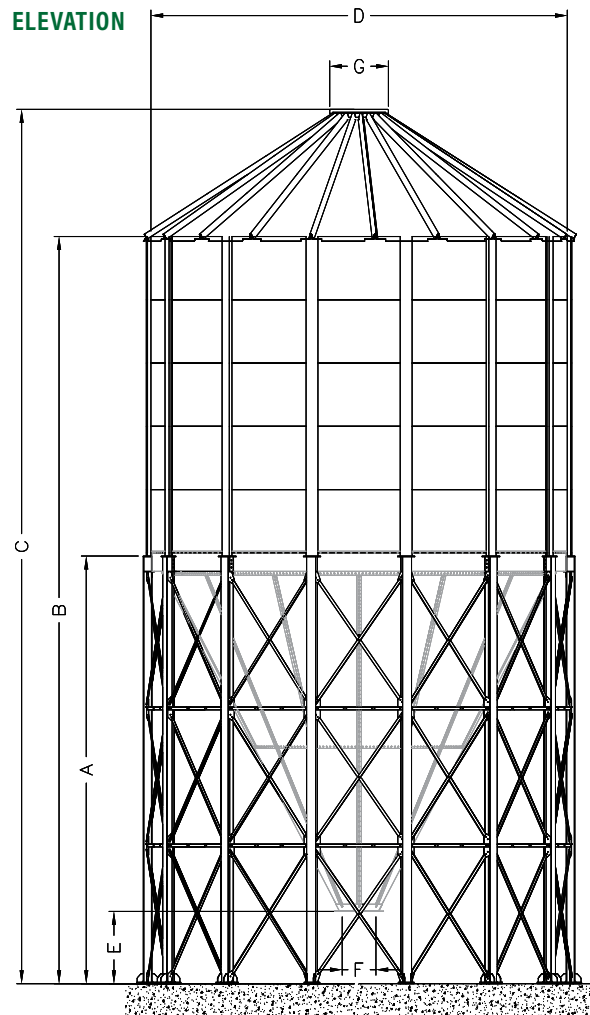
DIAMETER METERS (FT)	MODEL	HEIGHTS			CAPACITY		DIAMETER METERS (FT)	MODEL	HEIGHTS			CAPACITY	
		STRUCTURES M (A)	EAVES M (B)	OVERALL M (C)	M ³	TONNES			STRUCTURES M (A)	EAVES M (B)	OVERALL M (C)	M ³	TONNES
FC60N 04 D=3.64 m (12 FT)	FC60N 04/04	3.59	7.15	8.14	52	41	FC60N 06 D=5.46 m (18 FT)	FC60N 06/04	5.17	8.72	10.24	134	104
	FC60N 04/05	3.59	8.05	9.04	61	48		FC60N 06/05	5.17	9.65	11.16	154	120
	FC60N 04/06	3.59	8.93	9.92	70	55		FC60N 06/06	5.17	10.53	12.04	175	136
	FC60N 04/07	3.59	9.81	10.80	79	62		FC60N 06/07	5.17	11.41	12.92	195	152
	FC60N 04/08	3.59	10.69	11.68	89	69		FC60N 06/08	5.17	12.29	13.80	216	168
	FC60N 04/09	3.59	11.57	12.56	98	76		FC60N 06/09	5.17	13.17	14.68	236	184
	FC60N 04/10	3.59	12.45	13.44	107	83		FC60N 06/10	5.17	14.05	15.56	257	200
	FC60N 04/11	3.59	13.33	14.32	116	91		FC60N 06/11	5.17	14.93	16.44	278	217
	FC60N 04/12	3.59	14.21	15.20	125	98		FC60N 06/12	5.17	15.81	17.32	298	233
	FC60N 04/13	3.59	15.09	16.08	134	105		FC60N 06/13	5.17	16.69	18.20	319	249
	FC60N 04/14	3.59	15.97	16.96	143	112		FC60N 06/14	5.17	17.57	19.08	339	265
	FC60N 04/15	3.59	16.85	17.84	153	119		FC60N 06/15	5.17	18.45	19.96	360	281
	FC60N 05/04	4.38	7.94	9.19	87	68		FC60N 06/16	5.17	19.33	20.84	381	297
	FC60N 05/05	4.38	8.84	10.09	101	79		FC60N 06/17	5.17	20.21	21.72	401	313
	FC60N 05/06	4.38	9.72	10.97	115	90		FC60N 06/18	5.17	21.09	22.60	422	329
FC60N 05/07	4.38	10.60	11.85	130	101	FC60N 06/19	5.17	21.97	23.48	442	345		
FC60N 05/08	4.38	11.48	12.73	144	112	FC60N 06/20	5.17	22.85	24.36	463	361		
FC60N 05/09	4.38	12.36	13.61	158	123	FC60N 06/21	5.17	23.73	25.24	484	377		
FC60N 05/10	4.38	13.24	14.49	173	135	FC60N 06/22	5.17	24.61	26.12	504	393		
FC60N 05/11	4.38	14.12	15.37	187	146	FC60N 06/23	5.17	25.49	27.00	525	409		
FC60N 05/12	4.38	15.00	16.25	201	157	FC60N 06/24	5.17	26.37	27.88	545	425		
FC60N 05/13	4.38	15.88	17.13	215	168	FC60N 07/04	5.95	9.51	11.28	193	150		
FC60N 05/14	4.38	16.76	18.01	230	179	FC60N 07/05	5.95	10.43	12.21	221	172		
FC60N 05/15	4.38	17.64	18.89	244	190	FC60N 07/06	5.95	11.31	13.09	249	194		
FC60N 05/16	4.38	18.52	19.77	258	202	FC60N 07/07	5.95	12.19	13.97	277	216		
FC60N 05/17	4.38	19.40	20.65	273	213	FC60N 07/08	5.95	13.07	14.85	305	238		
FC60N 05/18	4.38	20.28	21.53	287	224	FC60N 07/09	5.95	13.95	15.73	333	260		
FC60N 05/19	4.38	21.16	22.41	301	235	FC60N 07/10	5.95	14.83	16.61	361	281		
FC60N 05/20	4.38	22.04	23.29	316	246	FC60N 07/11	5.95	15.71	17.49	389	303		
						FC60N 07/12	5.95	16.59	18.37	417	325		
						FC60N 07/13	5.95	17.47	19.25	445	347		
						FC60N 07/14	5.95	18.35	20.13	473	369		
						FC60N 07/15	5.95	19.23	21.01	501	391		
						FC60N 07/16	5.95	20.11	21.89	529	413		
						FC60N 07/17	5.95	20.99	22.77	557	434		
						FC60N 07/18	5.95	21.87	23.65	585	456		
						FC60N 07/19	5.95	22.75	24.53	613	478		
						FC60N 07/20	5.95	23.63	25.41	641	500		
						FC60N 07/21	5.95	24.51	26.29	669	522		
						FC60N 07/22	5.95	25.40	27.17	697	544		
						FC60N 07/23	5.95	26.28	28.05	725	566		
						FC60N 07/24	5.95	27.16	28.93	753	587		
						FC60N 07/25	5.95	28.04	29.81	781	609		
						FC60N 07/26	5.95	28.92	30.69	809	631		
						FC60N 07/27	5.95	29.80	31.57	837	653		
						FC60N 07/28	5.95	30.68	32.45	865	675		
						FC60N 07/29	5.95	31.56	33.33	893	697		
						FC60N 07/30	5.95	32.44	34.21	921	719		

Note

1. Heights might be subjected to +/- 0,030 m variation depending on the site conditions
2. Capacities are to be considered UNCOMPACTED
3. The maximum number of rings is referred to standard ambiental data: 73,6 daN/m² for snow; 100daN/m² for design wind pressure; 0,00g for seismic

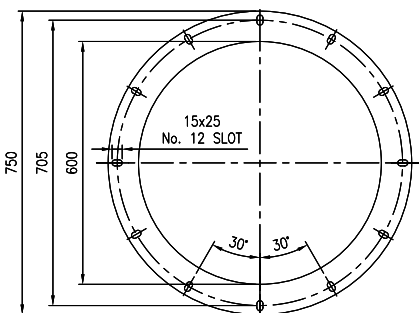
FC60N Hopper Silos Dimensions and Capacities (Narrow Corrugation Sheet)

DIAMETER METERS (FT)	MODEL	HEIGHTS			CAPACITY	
		STRUCTURES M (A)	EAVES M (B)	OVERALL M (C)	M ³	TONNES
FC60N 08 D=7.28 m (24 FT)	FC60N 08/04	6.74	10.29	12.33	266	208
	FC60N 08/05	6.74	11.52	13.56	303	236
	FC60N 08/06	6.74	12.40	14.44	340	265
	FC60N 08/07	6.74	13.28	15.32	376	293
	FC60N 08/08	6.74	14.16	16.20	413	322
	FC60N 08/09	6.74	15.04	17.08	449	350
	FC60N 08/10	6.74	15.92	17.96	486	379
	FC60N 08/11	6.74	16.80	18.84	523	408
	FC60N 08/12	6.74	17.68	19.72	559	436
	FC60N 08/13	6.74	18.56	20.60	596	465
	FC60N 08/14	6.74	19.44	21.48	632	493
	FC60N 08/15	6.74	20.32	22.36	669	522
	FC60N 08/16	6.74	21.20	23.24	706	550
	FC60N 08/17	6.74	22.08	24.12	742	579
	FC60N 08/18	6.74	22.96	25.00	779	607
	FC60N 08/19	6.74	23.84	25.88	815	636
	FC60N 08/20	6.74	24.72	26.76	852	664
	FC60N 08/21	6.74	25.60	27.64	889	693
	FC60N 08/22	6.74	26.48	28.52	925	722
	FC60N 08/23	6.74	27.36	29.40	962	750
	FC60N 08/24	6.74	28.24	30.28	998	779
	FC60N 08/25	6.74	29.12	31.16	1,035	807
	FC60N 08/26	6.74	30.00	32.04	1,072	836
	FC60N 08/27	6.74	30.88	32.92	1,108	864
	FC60N 08/28	6.74	31.76	33.80	1,145	893
	FC60N 08/29	6.74	32.64	34.68	1,181	921
	FC60N 08/30	6.74	33.52	35.56	1,218	950



LEGEND AND DETAILS

- A = Structure height
- B = Height to eave
- C = Overall height
- D = Bin sheets mean diameter
- E* = Outlet collar clearance = 1000 mm
- F* = Outlet collar inside diameter = 600 mm
- G* = Roof cap diameter = 900 mm
(max. diam. of inlet pipe 420 mm)
- * = Fixed dimensions



HOPPER OUTLET DETAIL

Note

1. Heights might be subjected to +/- 0,030 m variation depending on the site conditions
2. Capacities are to be considered UNCOMPACTED
3. The maximum number of rings is referred to standard ambiental data: 73,6 daN/m² for snow; 100daN/m² for design wind pressure; 0,00g for seismic

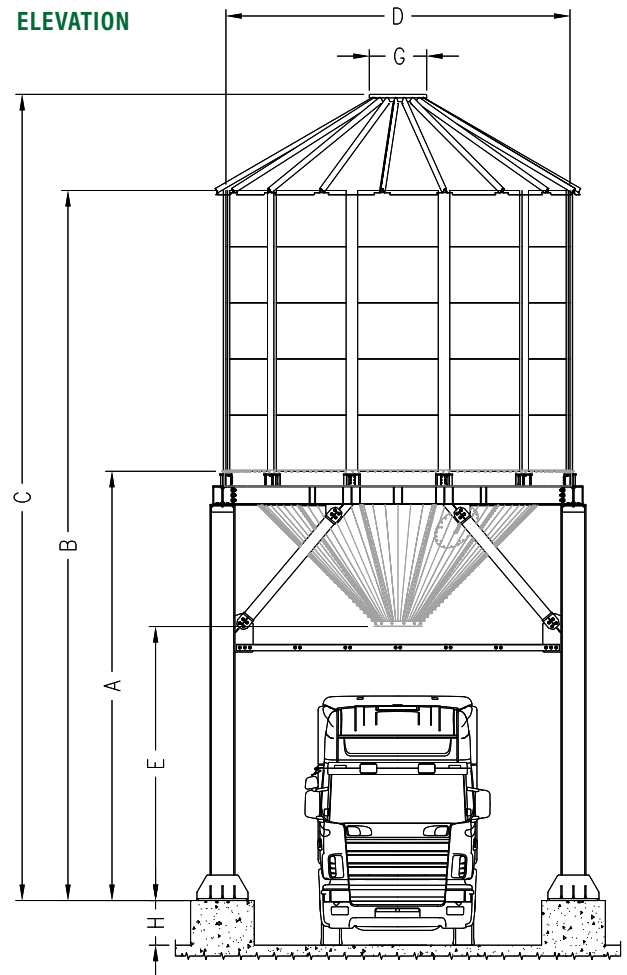
CR45N Hopper Silos Dimensions and Capacities (Narrow Corrugation sheet)

DIAMETER METERS (FT)	MODEL	HEIGHTS			CAPACITY	
		STRUCTURES M (A)	EAVES M (B)	OVERALL M (C)	M ³	TONNES
CR45N 05 D=4.55 m (15 FT)	CR45N 05/04	6.42	9.98	11.23	77	60
	CR45N 05/05	6.42	10.86	12.11	91	71
	CR45N 05/06	6.42	11.74	12.99	105	82
	CR45N 05/07	6.42	12.62	13.87	120	93
	CR45N 05/08	6.42	13.50	14.75	134	104
	CR45N 05/09	6.42	14.38	15.63	148	116
	CR45N 05/10	6.42	15.26	16.51	162	127
	CR45N 05/11	6.42	16.14	17.39	177	138
	CR45N 05/12	6.42	17.02	18.27	191	149
CR45N 06 D=5.46 m (18 FT)	CR45N 06/04	6.72	10.28	11.79	116	90
	CR45N 06/05	6.72	11.16	12.67	136	106
	CR45N 06/06	6.72	12.04	13.55	157	122
	CR45N 06/07	6.72	12.92	14.43	178	139
	CR45N 06/08	6.72	13.80	15.31	198	155
	CR45N 06/09	6.72	14.68	16.19	219	171
	CR45N 06/10	6.72	15.56	17.07	239	187
	CR45N 06/11	6.72	16.44	17.95	260	203
	CR45N 06/12	6.72	17.32	18.83	281	219
CR45N 07 D=6.37 m (21 FT)	CR45N 07/04	7.73	11.29	13.07	165	129
	CR45N 07/05	7.73	12.17	13.95	193	151
	CR45N 07/06	7.73	13.05	14.83	221	172
	CR45N 07/07	7.73	13.93	15.71	249	194
	CR45N 07/08	7.73	14.81	16.59	277	216
	CR45N 07/09	7.73	15.69	17.47	305	238
	CR45N 07/10	7.73	16.57	18.35	333	260
	CR45N 07/11	7.73	17.45	19.23	361	282
	CR45N 07/12	7.73	18.33	20.11	389	304
	CR45N 07/13	7.73	19.21	20.99	417	325
	CR45N 07/14	7.73	20.09	21.87	445	347
	CR45N 07/15	7.73	20.97	22.75	473	369
	CR45N 07/16	7.73	21.85	23.63	501	391

Note

1. Heights might be subjected to +/- 0,030 m variation depending on the site conditions
2. Capacities are to be considered UNCOMPACTED
3. The maximum number of rings is referred to standard ambiental data: 73,6 daN/m² for snow; 100daN/m² for design wind pressure; 0,00g for seismic

ELEVATION



LEGEND AND DETAILS

- A = Structure height
- B = Height to eave
- C = Overall height
- D = Bin sheets mean diameter
- E = Outlet clearance - see table
- F* = Outlet collar inside diameter = 600 mm
- G* = Roof cap diameter = 900 mm (max. diam. of inlet pipe 420 mm)
- H = Concrete column height 700-900 (mm) at client charge
- * = Fixed dimensions

E = Hopper Outlet Clearance (m)

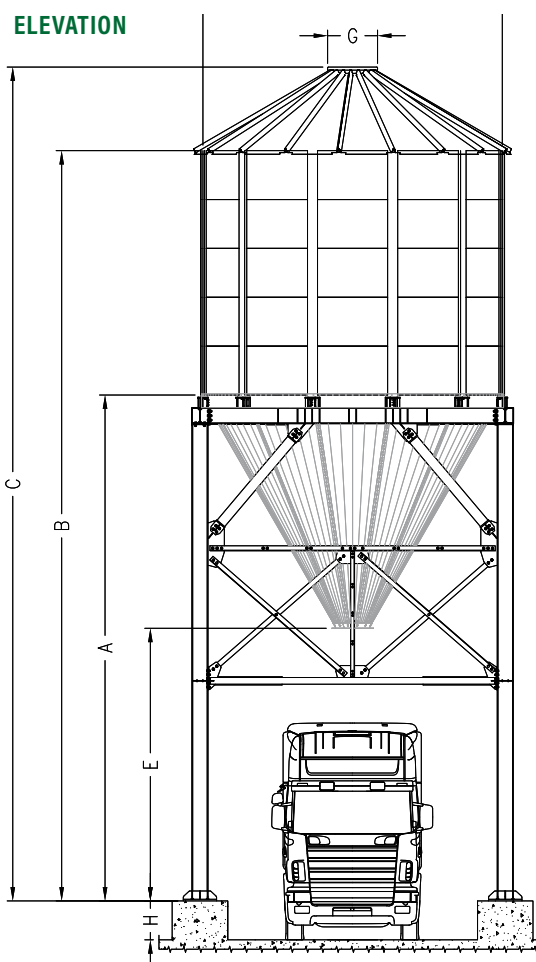
CR45N 05	4,456
CR45N 06	4,295
CR45N 07	4,858

CR60N Hopper Silos Dimensions and Capacities (Narrow Corrugation Sheet)

DIAMETER METERS (FT)	MODEL	HEIGHTS			CAPACITY	
		STRUCTURES M (A)	EAVES M (B)	OVERALL M (C)	M ³	TONNES
CR60N 05 D=4.55 m (15 FT)	CR60N 05/04	8.33	11.89	13.14	87	68
	CR60N 05/05	8.33	12.77	14.02	101	79
	CR60N 05/06	8.33	13.65	14.90	115	90
	CR60N 05/07	8.33	14.53	15.78	130	101
	CR60N 05/08	8.33	15.41	16.66	144	112
	CR60N 05/09	8.33	16.29	17.54	158	123
	CR60N 05/10	8.33	17.17	18.42	173	135
	CR60N 05/11	8.33	18.05	19.30	187	146
	CR60N 05/12	8.33	18.93	20.18	201	157
CR60N 06 D=5.46 m (18 FT)	CR60N 06/04	9.11	12.67	14.18	134	104
	CR60N 06/05	9.11	13.55	15.06	154	120
	CR60N 06/06	9.11	14.43	15.94	175	136
	CR60N 06/07	9.11	15.31	16.82	195	152
	CR60N 06/08	9.11	16.19	17.70	216	168
	CR60N 06/09	9.11	17.07	18.58	236	184
	CR60N 06/10	9.11	17.95	19.46	257	200
	CR60N 06/11	9.11	18.83	20.34	278	217
	CR60N 06/12	9.11	19.71	21.22	298	233
CR60N 07 D=6.37 m (21 FT)	CR60N 06/13	9.11	20.59	22.10	319	249
	CR60N 06/14	9.11	21.47	22.98	339	265
	CR60N 07/04	9.60	13.16	14.94	193	150
	CR60N 07/05	9.60	14.04	15.82	221	172
	CR60N 07/06	9.60	14.92	16.70	249	194
	CR60N 07/07	9.60	15.80	17.58	277	216
	CR60N 07/08	9.60	16.68	18.46	305	238
	CR60N 07/09	9.60	17.56	19.34	333	260
	CR60N 07/10	9.60	18.44	20.22	361	281
	CR60N 07/11	9.60	19.32	21.10	389	303
	CR60N 07/12	9.60	20.20	21.98	417	325
	CR60N 07/13	9.60	21.08	22.86	445	347
	CR60N 07/14	9.60	21.96	23.74	473	369
	CR60N 07/15	9.60	22.84	24.62	501	391
	CR60N 07/16	9.60	23.72	25.50	529	413

Note

1. Heights might be subjected to +/- 0,030 m variation depending on the site conditions
2. Capacities are to be considered UNCOMPACTED
3. The maximum number of rings is referred to standard ambiental data: 73,6 daN/m² for snow; 100daN/m² for design wind pressure; 0,00g for seismic



LEGEND AND DETAILS

- A = Structure height
 B = Height to eave
 C = Overall height
 D = Bin sheets mean diameter
 E = Outlet clearance - see table
 F* = Outlet collar inside diameter = 600 mm
 G* = Roof cap diameter = 900 mm (max. diam. of inlet pipe 420 mm)
 H = Concrete column height 700-900 (mm) at client charge
 * = Fixed dimensions

E = Hopper Outlet Clearance (m)

CR60N 05	4,910
CR60N 06	4,910
CR60N 07	4,910

FPS Flat Bottom Silos Dimensions and Capacities (Shallow Corrugation Sheet)

DIAMETER METERS (FT)	MODEL	HEIGHTS		CAPACITY		DIAMETER METERS (FT)	MODEL	HEIGHTS		CAPACITY	
		EAVES M (B)	OVERALL M (C)	M ³	TONNES			EAVES M (B)	OVERALL M (C)	M ³	TONNES
FPS 04 D=3.64 m (12 FT)	FPS 04/03	3.39	4.38	39	30	FPS 07 D=6.37 m (21 FT)	FPS 07/03	3.39	5.17	126	98
	FPS 04/04	4.51	5.50	50	39		FPS 07/04	4.51	6.28	162	126
	FPS 04/05	5.63	6.61	62	48		FPS 07/05	5.63	7.40	197	154
	FPS 04/06	6.74	7.73	73	57		FPS 07/06	6.74	8.52	233	181
	FPS 04/07	7.86	8.85	85	66		FPS 07/07	7.86	9.64	268	209
	FPS 04/08	8.98	9.97	97	75		FPS 07/08	8.98	10.76	304	237
	FPS 04/09	10.10	11.09	108	84		FPS 07/09	10.10	11.87	339	265
	FPS 04/10	11.21	12.20	120	94		FPS 07/10	11.21	12.99	375	293
	FPS 04/11	12.33	13.32	132	103		FPS 07/11	12.33	14.11	411	320
FPS 04/12	13.45	14.44	143	112	FPS 07/12	13.45	15.23	446	348		
FPS 05 D=4.55 m (15 FT)	FPS 05/03	3.39	4.64	62	48	FPS 07/13	14.57	16.34	482	376	
	FPS 05/04	4.51	5.76	80	62	FPS 07/14	15.68	17.46	517	404	
	FPS 05/05	5.63	6.88	98	76	FPS 07/15	16.80	18.58	553	431	
	FPS 05/06	6.74	7.99	116	91	FPS 07/16	17.92	19.70	589	459	
	FPS 05/07	7.86	9.11	134	105	FPS 07/17	19.04	20.81	624	487	
	FPS 05/08	8.98	10.23	152	119	FPS 07/18	20.16	21.93	660	515	
	FPS 05/09	10.10	11.35	171	133	FPS 07/19	21.27	23.05	695	542	
	FPS 05/10	11.21	12.47	189	147	FPS 07/20	22.39	24.17	731	570	
	FPS 05/11	12.33	13.58	207	161	FPS 07/21	23.51	25.28	766	598	
FPS 05/12	13.45	14.70	225	176	FPS 07/22	24.63	26.40	802	626		
FPS 05/13	14.57	15.82	243	190	FPS 07/23	25.74	27.52	838	653		
FPS 05/14	15.68	16.94	261	204	FPS 07/24	26.86	28.64	873	681		
FPS 05/15	16.80	18.05	279	218	FPS 07/25	27.98	29.75	909	709		
FPS 05/16	17.92	19.17	298	232	FPS 07/26	29.10	30.87	944	737		
FPS 06/03	3.39	4.90	91	71	FPS 07/27	30.21	31.99	980	764		
FPS 06/04	4.51	6.02	117	91	FPS 07/28	31.33	33.11	1,016	792		
FPS 06/05	5.63	7.14	143	111	FPS 08/03	3.39	5.43	168	131		
FPS 06/06	6.74	8.26	169	132	FPS 08/04	4.51	6.55	214	167		
FPS 06/07	7.86	9.38	195	152	FPS 08/05	5.63	7.66	261	203		
FPS 06/08	8.98	10.49	221	173	FPS 08/06	6.74	8.78	307	240		
FPS 06/09	10.10	11.61	247	193	FPS 08/07	7.86	9.90	354	276		
FPS 06/10	11.21	12.73	274	213	FPS 08/08	8.98	11.02	400	312		
FPS 06/11	12.33	13.85	300	234	FPS 08/09	10.10	12.14	447	348		
FPS 06/12	13.45	14.96	326	254	FPS 08/10	11.21	13.25	493	385		
FPS 06/13	14.57	16.08	352	275	FPS 08/11	12.33	14.37	540	421		
FPS 06/14	15.68	17.20	378	295	FPS 08/12	13.45	15.49	586	457		
FPS 06/15	16.80	18.32	404	315	FPS 08/13	14.57	16.61	633	493		
FPS 06/16	17.92	19.43	430	336	FPS 08/14	15.68	17.72	679	530		
FPS 06/17	19.04	20.55	457	356	FPS 08/15	16.80	18.84	726	566		
FPS 06/18	20.16	21.67	483	377	FPS 08/16	17.92	19.96	772	602		
FPS 06/19	21.27	22.79	509	397	FPS 08/17	19.04	21.08	819	638		
					FPS 08/18	20.16	22.19	865	675		
					FPS 08/19	21.27	23.31	911	711		
					FPS 08/20	22.39	24.43	958	747		
					FPS 08/21	23.51	25.55	1,004	783		
					FPS 08/22	24.63	26.66	1,051	820		
					FPS 08/23	25.74	27.78	1,097	856		
					FPS 08/24	26.86	28.90	1,144	892		
					FPS 08/25	27.98	30.02	1,190	928		
					FPS 08/26	29.10	31.13	1,237	965		
					FPS 08/27	30.21	32.25	1,283	1,001		
					FPS 08/28	31.33	33.37	1,330	1,037		
					FPS 08/29	32.45	34.49	1,376	1,073		
					FPS 08/30	33.57	35.60	1,423	1,110		

FPS Flat Bottom Silos Dimensions and Capacities (Shallow Corrugation Sheet)

DIAMETER METERS (FT)	MODEL	HEIGHTS		CAPACITY		DIAMETER METERS (FT)	MODEL	HEIGHTS		CAPACITY		
		EAVES M (B)	OVERALL M (C)	M ³	TONNES			EAVES M (B)	OVERALL M (C)	M ³	TONNES	
FPS 09 D=8.19 m (27 FT)	FPS 09/03	3.39	5.69	217	169	FPS 11 D=10.01 m (33 FT)	FPS 12/03	3.39	6.08	336	262	
	FPS 09/04	4.51	6.81	275	215		FPS 12/04	4.51	7.19	424	331	
	FPS 09/05	5.63	7.93	334	261		FPS 12/05	5.63	8.31	512	399	
	FPS 09/06	6.74	9.05	393	307		FPS 12/06	6.74	9.43	600	468	
	FPS 09/07	7.86	10.16	452	353		FPS 12/07	7.86	10.55	688	536	
	FPS 09/08	8.98	11.28	511	398		FPS 12/08	8.98	12.66	776	605	
	FPS 09/09	10.10	12.40	570	444		FPS 12/09	10.10	12.78	864	674	
	FPS 09/10	11.21	13.52	628	490		FPS 12/10	12.21	13.90	951	742	
	FPS 09/11	12.33	14.63	687	536		FPS 12/11	12.33	15.02	1,039	812	
	FPS 09/12	13.45	15.75	746	582		FPS 12/12	13.45	16.14	1,127	879	
	FPS 09/13	14.57	16.87	805	628		FPS 12/13	14.57	17.25	1,215	948	
	FPS 09/14	15.68	17.99	864	674		FPS 12/14	15.68	18.37	1,303	1,016	
	FPS 09/15	16.80	19.10	923	720		FPS 12/15	16.80	19.49	1,391	1,085	
	FPS 09/16	17.92	20.22	981	765		FPS 12/16	17.92	20.61	1,479	1,153	
	FPS 09/17	19.04	21.34	1,040	811		FPS 12/17	19.04	21.72	1,567	1,222	
	FPS 09/18	20.16	22.46	1,099	857		FPS 12/18	20.16	22.84	1,654	1,290	
	FPS 09/19	21.27	23.57	1,158	903		FPS 12/19	21.27	23.96	1,742	1,359	
	FPS 09/20	22.39	24.69	1,217	949		FPS 12/20	22.39	25.08	1,830	1,427	
	FPS 09/21	23.51	25.81	1,275	995		FPS 12/21	23.51	26.19	1,918	1,496	
	FPS 09/22	24.63	26.93	1,334	1,041		FPS 12/22	24.63	27.31	2,006	1,565	
	FPS 09/23	25.74	28.04	1,393	1,087		FPS 12/23	25.74	28.43	2,094	1,633	
	FPS 09/24	26.86	29.16	1,452	1,132		FPS 12/24	26.86	29.55	2,182	1,702	
	FPS 09/25	27.98	30.28	1,511	1,178		FPS 12/25	27.98	30.66	2,269	1,770	
	FPS 09/26	29.10	31.40	1,570	1,224		FPS 12/26	29.10	31.78	2,357	1,839	
	FPS 09/27	30.21	32.51	1,628	1,270		FPS 12/27	30.21	32.90	2,445	1,907	
	FPS 09/28	31.33	33.63	1,687	1,316		FPS 12/28	31.33	34.02	2,533	1,976	
	FPS 09/29	32.45	34.75	1,746	1,362		FPS 12/29	32.45	35.13	2,621	2,044	
	FPS 09/30	33.57	35.87	1,805	1,408		FPS 12/30	33.57	36.25	2,709	2,123	
	FPS 10 D=9.10 m (30 FT)	FPS 10/03	3.39	5.81	273		213	FPS 12/03	3.39	6.34	408	318
		FPS 10/04	4.51	6.93	345		269	FPS 12/04	4.51	7.46	512	400
FPS 10/05		5.63	8.05	418	326	FPS 12/05	5.63	8.57	617	481		
FPS 10/06		6.74	9.17	491	383	FPS 12/06	6.74	9.69	722	563		
FPS 10/07		7.86	10.28	563	439	FPS 12/07	7.86	10.81	826	644		
FPS 10/08		8.98	11.40	636	496	FPS 12/08	8.98	11.93	931	726		
FPS 10/09		10.10	12.52	708	553	FPS 12/09	10.10	13.05	1,035	807		
FPS 10/10		11.21	13.64	781	609	FPS 12/10	11.21	14.16	1,140	889		
FPS 10/11		12.33	14.76	854	666	FPS 12/11	12.33	15.28	1,244	971		
FPS 10/12		13.45	15.87	926	723	FPS 12/12	13.45	16.40	1,349	1,052		
FPS 10/13		14.57	16.99	999	779	FPS 12/13	14.57	17.52	1,454	1,134		
FPS 10/14		15.68	18.11	1,072	836	FPS 12/14	15.68	18.63	1,558	1,215		
FPS 10/15		16.80	19.23	1,144	892	FPS 12/15	16.80	19.75	1,663	1,297		
FPS 10/16		17.92	20.34	1,217	949	FPS 12/16	17.92	20.87	1,767	1,378		
FPS 10/17		19.04	21.46	1,289	1,006	FPS 12/17	19.04	21.99	1,872	1,460		
FPS 10/18		20.16	22.58	1,362	1,062	FPS 12/18	20.16	23.10	1,976	1,542		
FPS 10/19		21.27	23.70	1,435	1,119	FPS 12/19	21.27	24.22	2,081	1,623		
FPS 10/20		22.39	24.81	1,507	1,176	FPS 12/20	22.39	25.34	2,186	1,705		
FPS 10/21		23.51	25.93	1,580	1,232	FPS 12/21	23.51	26.46	2,290	1,786		
FPS 10/22		24.63	27.05	1,652	1,289	FPS 12/22	24.63	27.57	2,395	1,868		
FPS 10/23		25.74	28.17	1,725	1,346	FPS 12/23	25.74	28.69	2,499	1,949		
FPS 10/24		26.86	29.28	1,798	1,402	FPS 12/24	26.86	29.81	2,604	2,031		
FPS 10/25		27.98	30.40	1,870	1,459	FPS 12/25	27.98	30.93	2,708	2,113		
FPS 10/26		29.10	31.52	1,943	1,516	FPS 12/26	29.10	32.04	2,813	2,194		
FPS 10/27		30.21	32.64	2,016	1,572	FPS 12/27	30.21	33.16	2,918	2,276		
FPS 10/28		31.33	33.75	2,088	1,629	FPS 12/28	31.33	34.28	3,022	2,357		
FPS 10/29		32.45	34.87	2,161	1,685	FPS 12/29	32.45	35.40	3,127	2,439		
FPS 10/30		33.57	35.99	2,233	1,742	FPS 12/30	33.57	36.51	3,231	2,520		

FPS Flat Bottom Silos Dimensions and Capacities (Shallow Corrugation Sheet)

DIAMETER METERS (FT)	MODEL	HEIGHTS		CAPACITY		DIAMETER METERS (FT)	MODEL	HEIGHTS		CAPACITY			
		EAVES M (B)	OVERALL M (C)	M ³	TONNES			EAVES M (B)	OVERALL M (C)	M ³	TONNES		
FPS 13 D=11.82 m (39 FT)	FPS 13/03	3.39	6.60	487	380	FPS 15 D=13.64 m (45 FT)	FPS 15/03	3.39	7.13	673	525		
	FPS 13/04	4.51	7.72	610	476		FPS 15/04	4.51	8.24	836	652		
	FPS 13/05	5.63	8.84	733	572		FPS 15/05	5.63	9.36	999	779		
	FPS 13/06	6.74	9.95	856	667		FPS 15/06	6.74	10.48	1,163	907		
	FPS 13/07	7.86	11.07	978	763		FPS 15/07	7.86	11.60	1,326	1,034		
	FPS 13/08	8.98	12.19	1,101	859		FPS 15/08	8.98	12.72	1,490	1,162		
	FPS 13/09	10.10	13.31	1,224	955		FPS 15/09	10.10	13.83	1,653	1,289		
	FPS 13/10	11.21	14.43	1,347	1,050		FPS 15/10	11.21	14.95	1,816	1,417		
	FPS 13/11	12.33	15.54	1,469	1,146		FPS 15/15	12.33	16.07	1,980	1,544		
	FPS 13/12	13.45	16.66	1,592	1,242		FPS 15/15	13.45	17.19	2,143	1,672		
	FPS 13/13	14.57	17.78	1,715	1,337		FPS 15/15	14.57	18.30	2,306	1,799		
	FPS 13/14	15.68	18.90	1,837	1,433		FPS 15/15	15.68	19.42	2,470	1,927		
	FPS 13/15	16.80	20.01	1,960	1,529		FPS 15/15	16.80	20.54	2,633	2,054		
	FPS 13/16	17.92	21.13	2,083	1,625		FPS 15/16	17.92	21.66	2,797	2,181		
	FPS 13/17	19.04	22.25	2,206	1,720		FPS 15/17	19.04	22.77	2,960	2,309		
	FPS 13/18	20.16	23.37	2,328	1,816		FPS 15/18	20.16	23.89	3,123	2,436		
	FPS 13/19	21.27	24.48	2,451	1,912		FPS 15/19	21.27	25.01	3,287	2,564		
	FPS 13/20	22.39	25.60	2,574	2,008		FPS 15/20	22.39	26.13	3,450	2,691		
	FPS 13/21	23.51	26.72	2,697	2,103		FPS 15/21	23.51	27.24	3,614	2,819		
	FPS 13/22	24.63	27.84	2,819	2,199		FPS 15/22	24.63	28.36	3,777	2,946		
	FPS 13/23	25.74	28.95	2,942	2,295		FPS 15/23	25.74	29.48	3,940	3,074		
	FPS 13/24	26.86	30.07	3,065	2,390		FPS 15/24	26.86	30.60	4,104	3,201		
	FPS 13/25	27.98	31.19	3,187	2,486		FPS 15/25	27.98	31.71	4,267	3,328		
	FPS 13/26	29.10	32.31	3,310	2,582		FPS 15/26	29.10	32.83	4,431	3,456		
	FPS 13/27	30.21	33.42	3,433	2,678		FPS 15/27	30.21	33.95	4,594	3,583		
	FPS 13/28	31.33	34.54	3,556	2,773		FPS 15/28	31.33	35.07	4,757	3,711		
	FPS 13/29	32.45	35.66	3,678	2,869		FPS 15/29	32.45	36.18	4,921	3,838		
	FPS 13/30	33.57	36.78	3,801	2,965		FPS 15/30	33.57	37.30	5,084	3,966		
	FPS 14 D=12.73 m (42 FT)	FPS 14/03	3.39	6.86	576		449	FPS 16 D=14.55 m (48 FT)	FPS 16/03	3.39	7.39	779	607
		FPS 14/04	4.51	7.98	718		560		FPS 16/04	4.51	8.51	965	752
FPS 14/05		5.63	9.10	860	671	FPS 16/05	5.63		9.62	1,150	897		
FPS 14/06		6.74	10.22	1,003	782	FPS 16/06	6.74		10.74	1,336	1,042		
FPS 14/07		7.86	11.34	1,145	893	FPS 16/07	7.86		11.86	1,522	1,187		
FPS 14/08		8.98	12.45	1,287	1,004	FPS 16/08	8.98		12.98	1,708	1,332		
FPS 14/09		10.10	13.57	1,430	1,115	FPS 16/09	10.10		14.10	1,894	1,477		
FPS 14/10		11.21	14.69	1,572	1,226	FPS 16/10	11.21		15.21	2,080	1,622		
FPS 14/11		12.33	15.81	1,714	1,337	FPS 16/11	12.33		16.33	2,266	1,767		
FPS 14/12		13.45	16.92	1,857	1,448	FPS 16/12	13.45		17.45	2,452	1,912		
FPS 14/13		14.57	18.04	1,999	1,559	FPS 16/13	14.57		18.57	2,638	2,057		
FPS 14/14		15.68	19.16	2,141	1,670	FPS 16/14	15.68		19.68	2,824	2,202		
FPS 14/15		16.80	20.28	2,284	1,781	FPS 16/15	16.80		20.80	3,009	2,347		
FPS 14/16		17.92	21.39	2,426	1,892	FPS 16/16	17.92		21.92	3,195	2,492		
FPS 14/17		19.04	22.51	2,568	2,003	FPS 16/17	19.04		23.04	3,381	2,637		
FPS 14/18		20.16	23.63	2,711	2,114	FPS 16/18	20.16		24.15	3,567	2,782		
FPS 14/19		21.27	24.75	2,853	2,225	FPS 16/19	21.27		25.27	3,753	2,927		
FPS 14/20		22.39	25.86	2,995	2,336	FPS 16/20	22.39		26.39	3,939	3,072		
FPS 14/21		23.51	26.98	3,138	2,447	FPS 16/21	23.51		27.51	4,125	3,217		
FPS 14/22		24.63	28.10	3,280	2,558	FPS 16/22	24.63		28.62	4,311	3,362		
FPS 14/23		25.74	29.22	3,422	2,669	FPS 16/23	25.74		29.74	4,497	3,507		
FPS 14/24		26.86	30.33	3,565	2,780	FPS 16/24	26.86		30.86	4,683	3,652		
FPS 14/25		27.98	31.45	3,707	2,891	FPS 16/25	27.98		31.98	4,869	3,797		
FPS 14/26		29.10	32.57	3,849	3,002	FPS 16/26	29.10		33.09	5,054	3,942		
FPS 14/27		30.21	33.69	3,992	3,113	FPS 16/27	30.21		34.21	5,240	4,087		
FPS 14/28		31.33	34.80	4,134	3,224	FPS 16/28	31.33		35.33	5,426	4,232		
FPS 14/29		32.45	35.92	4,276	3,335	FPS 16/29	32.45		36.45	5,612	4,377		
FPS 14/30		33.57	37.04	4,419	3,447	FPS 16/30	33.57		37.56	5,798	4,522		

FPS Flat Bottom Silos Dimensions and Capacities (Shallow Corrugation Sheet)

DIAMETER METERS (FT)	MODEL	HEIGHTS		CAPACITY		DIAMETER METERS (FT)	MODEL	HEIGHTS		CAPACITY			
		EAVES M (B)	OVERALL M (C)	M ³	TONNES			EAVES M (B)	OVERALL M (C)	M ³	TONNES		
FPS 17 D=15.46 m (51 FT)	FPS 17/03	3.39	7.59	894	697	FPS 19 D=17.28 m (57 FT)	FPS 19/03	3.39	8.18	1,155	901		
	FPS 17/04	4.51	8.71	1,104	861		FPS 19/04	4.51	9.30	1,417	1,105		
	FPS 17/05	5.63	9.83	1,314	1,025		FPS 19/05	5.63	10.41	1,679	1,310		
	FPS 17/06	6.74	10.95	1,524	1,189		FPS 19/06	6.74	11.53	1,941	1,514		
	FPS 17/07	7.86	12.06	1,734	1,352		FPS 19/07	7.86	12.65	2,203	1,719		
	FPS 17/08	8.98	13.18	1,943	1,516		FPS 19/08	8.98	13.77	2,466	1,923		
	FPS 17/09	10.10	14.30	2,153	1,680		FPS 19/09	10.10	14.88	2,728	2,128		
	FPS 17/10	11.21	15.42	2,363	1,843		FPS 19/10	11.21	16.00	2,990	2,332		
	FPS 17/11	12.33	16.53	2,573	2,007		FPS 19/11	12.33	17.12	3,252	2,537		
	FPS 17/12	13.45	17.65	2,783	2,171		FPS 19/12	13.45	18.24	3,514	2,741		
	FPS 17/13	14.57	18.77	2,993	2,334		FPS 19/13	14.57	19.35	3,776	2,945		
	FPS 17/14	15.68	19.89	3,203	2,498		FPS 19/14	15.68	20.47	4,038	3,150		
	FPS 17/15	16.80	21.00	3,413	2,662		FPS 19/15	16.80	21.59	4,301	3,354		
	FPS 17/16	17.92	22.12	3,622	2,826		FPS 19/16	17.92	22.71	4,563	3,559		
	FPS 17/17	19.04	23.24	3,832	2,989		FPS 19/17	19.04	23.82	4,825	3,763		
	FPS 17/18	20.16	24.36	4,042	3,153		FPS 19/18	20.16	24.94	5,087	3,968		
	FPS 17/19	21.27	25.48	4,252	3,317		FPS 19/19	21.27	26.06	5,349	4,172		
	FPS 17/20	22.39	26.59	4,462	3,480		FPS 19/20	22.39	27.18	5,611	4,377		
	FPS 17/21	23.51	27.71	4,672	3,644		FPS 19/21	23.51	28.29	5,873	4,581		
	FPS 17/22	24.63	28.83	4,882	3,808		FPS 19/22	24.63	29.41	6,136	4,786		
	FPS 17/23	25.74	29.95	5,092	3,971		FPS 19/23	25.74	30.53	6,398	4,990		
	FPS 17/24	26.86	31.06	5,301	4,135		FPS 19/24	26.86	31.65	6,660	5,195		
	FPS 17/25	27.98	32.18	5,511	4,299		FPS 19/25	27.98	32.76	6,922	5,399		
	FPS 17/26	29.10	33.30	5,721	4,462		FPS 19/26	29.10	33.88	7,184	5,604		
	FPS 17/27	30.21	34.42	5,931	4,626		FPS 19/27	30.21	35.00	7,446	5,808		
	FPS 17/28	31.33	35.53	6,141	4,790		FPS 19/28	31.33	36.12	7,709	6,013		
	FPS 17/29	32.45	36.65	6,351	4,954		FPS 19/29	32.45	37.24	7,971	6,217		
	FPS 17/30	33.57	37.77	6,561	5,117		FPS 19/30	33.57	38.35	8,233	6,422		
	FPS 18 D=16.37 m (54 FT)	FPS 18/03	3.39	7.86	1,019		795	FPS 20 D=18.19 m (60 FT)	FPS 20/03	3.39	8.55	1,300	1,014
		FPS 18/04	4.51	8.97	1,255		979		FPS 20/04	4.51	9.67	1,591	1,241
FPS 18/05		5.63	10.09	1,490	1,162	FPS 20/05	5.63		10.79	1,881	1,467		
FPS 18/06		6.74	11.21	1,725	1,346	FPS 20/06	6.74		11.90	2,172	1,694		
FPS 18/07		7.86	12.33	1,961	1,529	FPS 20/07	7.86		13.02	2,462	1,921		
FPS 18/08		8.98	13.44	2,196	1,713	FPS 20/08	8.98		14.14	2,753	2,147		
FPS 18/09		10.10	14.56	2,431	1,896	FPS 20/09	10.10		15.26	3,043	2,374		
FPS 18/10		11.21	15.68	2,666	2,080	FPS 20/10	11.21		16.37	3,334	2,600		
FPS 18/11		12.33	16.80	2,902	2,263	FPS 20/11	12.33		17.49	3,624	2,827		
FPS 18/12		13.45	17.91	3,137	2,447	FPS 20/12	13.45		18.61	3,915	3,053		
FPS 18/13		14.57	19.03	3,372	2,630	FPS 20/13	14.57		19.73	4,205	3,280		
FPS 18/14		15.68	20.15	3,608	2,814	FPS 20/14	15.68		20.84	4,496	3,507		
FPS 18/15		16.80	21.27	3,843	2,997	FPS 20/15	16.80		21.96	4,786	3,733		
FPS 18/16		17.92	22.38	4,078	3,181	FPS 20/16	17.92		23.08	5,077	3,960		
FPS 18/17		19.04	23.50	4,313	3,364	FPS 20/17	19.04		24.20	5,367	4,186		
FPS 18/18		20.16	24.62	4,549	3,548	FPS 20/18	20.16		25.31	5,658	4,413		
FPS 18/19		21.27	25.74	4,784	3,731	FPS 20/19	21.27		26.43	5,948	4,639		
FPS 18/20		22.39	26.86	5,019	3,915	FPS 20/20	22.39		27.55	6,239	4,866		
FPS 18/21		23.51	27.97	5,255	4,099	FPS 20/21	23.51		28.67	6,529	5,093		
FPS 18/22		24.63	29.09	5,490	4,282	FPS 20/22	24.63		29.78	6,819	5,319		
FPS 18/23		25.74	30.21	5,725	4,466	FPS 20/23	25.74		30.90	7,110	5,546		
FPS 18/24		26.86	31.33	5,960	4,649	FPS 20/24	26.86		32.02	7,400	5,772		
FPS 18/25		27.98	32.44	6,196	4,833	FPS 20/25	27.98		33.14	7,691	5,999		
FPS 18/26		29.10	33.56	6,431	5,016	FPS 20/26	29.10		34.25	7,981	6,225		
FPS 18/27		30.21	34.68	6,666	5,200	FPS 20/27	30.21		35.37	8,272	6,452		
FPS 18/28		31.33	35.80	6,902	5,383	FPS 20/28	31.33		36.49	8,562	6,679		
FPS 18/29		32.45	36.91	7,137	5,567	FPS 20/29	32.45		37.61	8,853	6,905		
FPS 18/30		33.57	38.03	7,372	5,750	FPS 20/30	33.57		38.73	9,143	7,132		

FPS Flat Bottom Silos Dimensions and Capacities (Shallow Corrugation Sheet)

DIAMETER METERS (FT)	MODEL	HEIGHTS		CAPACITY		DIAMETER METERS (FT)	MODEL	HEIGHTS		CAPACITY			
		EAVES M (B)	OVERALL M (C)	M ³	TONNES			EAVES M (B)	OVERALL M (C)	M ³	TONNES		
FPS 21 D=19.10 m (63 FT)	FPS 21/03	3.39	8.81	1,457	1,136	FPS 23 D=20.92 m (69 FT)	FPS 23/03	3.39	9.34	1,803	1,406		
	FPS 21/04	4.51	9.93	1,777	1,386		FPS 23/04	4.51	10.46	2,187	1,706		
	FPS 21/05	5.63	11.05	2,097	1,636		FPS 23/05	5.63	11.57	2,571	2,006		
	FPS 21/06	6.74	12.17	2,418	1,886		FPS 23/06	6.74	12.69	2,955	2,305		
	FPS 21/07	7.86	13.28	2,738	2,135		FPS 23/07	7.86	13.81	3,340	2,605		
	FPS 21/08	8.98	14.40	3,058	2,385		FPS 23/08	8.98	14.93	3,724	2,904		
	FPS 21/09	10.10	15.52	3,378	2,635		FPS 23/09	10.10	16.04	4,108	3,204		
	FPS 21/10	11.22	16.64	3,699	2,885		FPS 23/10	11.21	17.16	4,492	3,504		
	FPS 21/11	12.33	17.75	4,019	3,135		FPS 23/11	12.33	18.28	4,876	3,803		
	FPS 21/12	13.45	18.87	4,339	3,384		FPS 23/12	13.45	19.40	5,260	4,103		
	FPS 21/13	14.57	19.99	4,659	3,634		FPS 23/13	14.57	20.51	5,644	4,403		
	FPS 21/14	15.68	22.11	4,980	3,884		FPS 23/14	15.68	21.63	6,029	4,702		
	FPS 21/15	16.80	22.22	5,300	4,134		FPS 23/15	16.80	22.75	6,413	5,002		
	FPS 21/16	17.92	23.34	5,620	4,384		FPS 23/16	17.92	23.87	6,797	5,302		
	FPS 21/17	19.04	24.46	5,940	4,633		FPS 23/17	19.04	24.98	7,181	5,601		
	FPS 21/18	20.16	25.58	6,261	4,883		FPS 23/18	20.16	26.10	7,565	5,901		
	FPS 21/19	22.27	26.69	6,581	5,133		FPS 23/19	21.27	27.22	7,949	6,201		
	FPS 21/20	22.39	27.81	6,901	5,383		FPS 23/20	22.39	28.34	8,334	6,500		
	FPS 21/21	23.51	28.93	7,222	5,633		FPS 23/21	23.51	29.45	8,718	6,800		
	FPS 21/22	24.63	30.05	7,542	5,882		FPS 23/22	24.63	30.57	9,102	7,099		
	FPS 21/23	25.74	31.16	7,862	6,132		FPS 23/23	25.74	31.69	9,486	7,399		
	FPS 21/24	26.86	32.28	8,182	6,382		FPS 23/24	26.86	32.81	9,870	7,699		
	FPS 21/25	27.98	33.40	8,502	6,632		FPS 23/25	27.98	33.92	10,254	7,998		
	FPS 21/26	29.10	34.52	8,823	6,882		FPS 23/26	29.10	35.04	10,638	8,298		
	FPS 21/27	30.22	35.64	9,143	7,131		FPS 23/27	30.21	36.16	11,023	8,598		
	FPS 21/28	31.33	36.75	9,463	7,381		FPS 23/28	31.33	37.28	11,407	8,897		
	FPS 21/29	32.45	37.87	9,783	7,631		FPS 23/29	32.45	38.40	11,791	9,197		
	FPS 21/30	33.57	38.99	10,104	7,881		FPS 23/30	33.57	39.51	12,175	9,497		
	FPS 22 D=20.01 m (66 FT)	FPS 22/03	3.39	9.08	1,624		1,267	FPS 24 D=21.83 m (72 FT)	FPS 24/03	3.39	9.60	1,993	1,555
		FPS 22/04	4.51	10.19	1,976		1,541		FPS 24/04	4.51	10.72	2,412	1,881
FPS 22/05		5.63	11.31	2,327	1,815	FPS 24/05	5.63		11.84	2,830	2,207		
FPS 22/06		6.74	12.43	2,679	2,089	FPS 24/06	6.74		12.95	3,248	2,534		
FPS 22/07		7.86	13.55	3,030	2,363	FPS 24/07	7.86		14.07	3,666	2,860		
FPS 22/08		8.98	14.66	3,382	2,638	FPS 24/08	8.98		15.19	4,085	3,186		
FPS 22/09		10.10	15.78	3,733	2,912	FPS 24/09	10.10		16.31	4,503	3,512		
FPS 22/10		11.21	16.90	4,085	3,186	FPS 24/10	11.21		17.42	4,921	3,839		
FPS 22/11		12.33	18.02	4,436	3,460	FPS 24/11	12.33		18.54	5,340	4,165		
FPS 22/12		13.45	19.13	4,787	3,734	FPS 24/12	13.45		19.66	5,758	4,491		
FPS 22/13		14.57	20.25	5,139	4,008	FPS 24/13	14.57		20.78	6,176	4,817		
FPS 22/14		15.68	21.37	5,490	4,283	FPS 24/14	15.68		21.89	6,594	5,144		
FPS 22/15		16.80	22.49	5,842	4,557	FPS 24/15	16.80		23.01	7,013	5,470		
FPS 22/16		17.92	23.60	6,193	4,831	FPS 24/16	17.92		24.13	7,431	5,796		
FPS 22/17		19.04	24.72	6,545	5,105	FPS 24/17	19.04		25.25	7,849	6,122		
FPS 22/18		20.16	25.84	6,896	5,379	FPS 24/18	20.16		26.36	8,268	6,449		
FPS 22/19		21.27	26.96	7,248	5,653	FPS 24/19	21.27		27.48	8,686	6,775		
FPS 22/20		22.39	28.07	7,599	5,927	FPS 24/20	22.39		28.60	9,104	7,101		
FPS 22/21		23.51	29.19	7,951	6,202	FPS 24/21	23.51		29.72	9,522	7,427		
FPS 22/22		24.63	30.31	8,302	6,476	FPS 24/22	24.63		30.83	9,941	7,754		
FPS 22/23		25.74	31.43	8,654	6,750	FPS 24/23	25.74		31.95	10,359	8,080		
FPS 22/24		26.86	32.54	9,005	7,024	FPS 24/24	26.86		33.07	10,777	8,406		
FPS 22/25		27.98	33.66	9,357	7,298	FPS 24/25	27.98		34.19	11,196	8,733		
FPS 22/26		29.10	34.78	9,708	7,572	FPS 24/26	29.10		35.31	11,614	9,059		
FPS 22/27		30.22	35.90	10,060	7,847	FPS 24/27	30.21		36.42	12,032	9,385		
FPS 22/28		31.33	37.02	10,411	8,121	FPS 24/28	31.33		37.54	12,450	9,711		
FPS 22/29		32.45	38.13	10,763	8,395	FPS 24/29	32.45		38.66	12,869	10,038		
FPS 22/30		33.57	39.25	11,114	8,669	FPS 24/30	33.57		39.78	13,287	10,364		

FPS Flat Bottom Silos Dimensions and Capacities (Shallow Corrugation Sheet)

DIAMETER METERS (FT)	MODEL	HEIGHTS		CAPACITY		DIAMETER METERS (FT)	MODEL	HEIGHTS		CAPACITY			
		EAVES M (B)	OVERALL M (C)	M ³	TONNES			EAVES M (B)	OVERALL M (C)	M ³	TONNES		
FPS 25 D=22.74 m (75 FT)	FPS 25/03	3.39	9.86	2,196	1,713	FPS 27 D=24.56 m (81 FT)	FPS 27/03	3.39	10.39	2,637	2,057		
	FPS 25/04	4.51	10.98	2,649	2,067		FPS 27/04	4.51	11.51	3,167	2,470		
	FPS 25/05	5.63	12.10	3,103	2,421		FPS 27/05	5.63	12.62	3,696	2,883		
	FPS 25/06	6.74	13.22	3,557	2,775		FPS 27/06	6.74	13.74	4,225	3,296		
	FPS 25/07	7.86	14.33	4,011	3,129		FPS 27/07	7.86	14.86	4,755	3,709		
	FPS 25/08	8.98	15.45	4,465	3,483		FPS 27/08	8.98	15.98	5,284	4,122		
	FPS 25/09	10.10	16.57	4,919	3,837		FPS 27/09	10.10	17.09	5,814	4,535		
	FPS 25/10	11.21	17.69	5,373	4,191		FPS 27/10	11.21	18.21	6,343	4,948		
	FPS 25/11	12.33	18.80	5,827	4,545		FPS 27/11	12.33	19.33	6,872	5,360		
	FPS 25/12	13.45	19.92	6,280	4,899		FPS 27/12	13.45	20.45	7,402	5,773		
	FPS 25/13	14.57	21.04	6,734	5,253		FPS 27/13	14.57	21.56	7,931	6,186		
	FPS 25/14	15.68	22.16	7,188	5,607		FPS 27/14	15.68	22.68	8,461	6,599		
	FPS 25/15	16.80	23.27	7,642	5,961		FPS 27/15	16.80	23.80	8,990	7,012		
	FPS 25/16	17.92	24.39	8,096	6,315		FPS 27/16	17.92	24.92	9,519	7,425		
	FPS 25/17	19.04	25.51	8,550	6,669		FPS 27/17	19.04	26.03	10,049	7,838		
	FPS 25/18	20.16	26.63	9,004	7,023		FPS 27/18	20.16	27.15	10,578	8,251		
	FPS 25/19	21.27	27.74	9,457	7,377		FPS 27/19	21.27	28.27	11,108	8,664		
	FPS 25/20	22.39	28.86	9,911	7,731		FPS 27/20	22.39	29.39	11,637	9,077		
	FPS 25/21	23.51	29.98	10,365	8,085		FPS 27/21	23.51	30.50	12,166	9,490		
	FPS 25/22	24.63	31.10	10,819	8,439		FPS 27/22	24.63	31.62	12,696	9,903		
	FPS 25/23	25.74	32.21	11,273	8,793		FPS 27/23	25.74	32.74	13,225	10,316		
	FPS 25/24	26.86	33.33	11,727	9,147		FPS 27/24	26.86	33.86	13,755	10,729		
	FPS 25/25	27.98	34.45	12,181	9,501		FPS 27/25	27.98	34.98	14,284	11,141		
	FPS 25/26	29.10	35.57	12,635	9,855		FPS 27/26	29.10	36.09	14,813	11,554		
	FPS 25/27	30.21	36.69	13,088	10,209		FPS 27/27	30.21	37.21	15,343	11,967		
	FPS 25/28	31.33	37.80	13,542	10,563		FPS 27/28	31.33	38.33	15,872	12,380		
	FPS 25/29	32.45	38.92	13,996	10,917		FPS 27/29	32.45	39.45	16,401	12,793		
	FPS 25/30	33.57	40.04	14,450	11,271		FPS 27/30	33.57	40.56	16,931	13,206		
	FPS 26 D=23.65 m (78 FT)	FPS 26/03	3.39	10.13	2,410		1,880	FPS 28 D=25.47 m (84 FT)	FPS 28/03	3.39	10.65	2,877	2,244
		FPS 26/04	4.51	11.24	2,901		2,263		FPS 28/04	4.51	11.77	3,447	2,688
FPS 26/05		5.63	12.36	3,392	2,646	FPS 28/05	5.63		12.89	4,016	3,132		
FPS 26/06		6.74	13.48	3,883	3,029	FPS 28/06	6.74		14.00	4,585	3,577		
FPS 26/07		7.86	14.60	4,374	3,412	FPS 28/07	7.86		15.12	5,155	4,021		
FPS 26/08		8.98	15.71	4,865	3,794	FPS 28/08	8.98		16.24	5,724	4,465		
FPS 26/09		10.10	16.83	5,356	4,177	FPS 28/09	10.10		17.36	6,293	4,909		
FPS 26/10		11.21	17.95	5,846	4,560	FPS 28/10	11.21		18.47	6,863	5,353		
FPS 26/11		12.33	19.07	6,337	4,943	FPS 28/11	12.33		19.59	7,432	5,797		
FPS 26/12		13.45	20.18	6,828	5,326	FPS 28/12	13.45		20.71	8,001	6,241		
FPS 26/13		14.57	21.30	7,319	5,709	FPS 28/13	14.57		21.83	8,571	6,685		
FPS 26/14		15.68	22.42	7,810	6,092	FPS 28/14	15.68		22.94	9,140	7,129		
FPS 26/15		16.80	23.54	8,301	6,475	FPS 28/15	16.80		24.06	9,709	7,573		
FPS 26/16		17.92	24.65	8,792	6,858	FPS 28/16	17.92		25.18	10,279	8,017		
FPS 26/17		19.04	25.77	9,283	7,241	FPS 28/17	19.04		26.30	10,848	8,461		
FPS 26/18		20.16	26.89	9,774	7,623	FPS 28/18	20.16		27.41	11,417	8,905		
FPS 26/19		21.27	28.01	10,265	8,006	FPS 28/19	21.27		28.53	11,987	9,350		
FPS 26/20		22.39	29.12	10,756	8,389	FPS 28/20	22.39		29.65	12,556	9,794		
FPS 26/21		23.51	30.24	11,246	8,772	FPS 28/21	23.51		30.77	13,125	10,238		
FPS 26/22		24.63	31.36	11,737	9,155	FPS 28/22	24.63		31.89	13,695	10,682		
FPS 26/23		25.74	32.48	12,228	9,538	FPS 28/23	25.74		33.00	14,264	11,126		
FPS 26/24		26.86	33.60	12,719	9,921	FPS 28/24	26.86		34.12	14,833	11,570		
FPS 26/25		27.98	34.71	13,210	10,304	FPS 28/25	27.98		35.24	15,403	12,014		
FPS 26/26		29.10	35.83	13,701	10,687	FPS 28/26	29.10		36.36	15,972	12,458		
FPS 26/27		30.21	36.95	14,192	11,070	FPS 28/27	30.21		37.47	16,541	12,902		
FPS 26/28		31.33	38.07	14,683	11,453	FPS 28/28	31.33		38.59	17,111	13,346		
FPS 26/29		32.45	39.18	15,174	11,835	FPS 28/29	32.45		39.71	17,680	13,790		
FPS 26/30		33.57	40.30	15,665	12,218	FPS 28/30	33.57		40.83	18,249	14,234		

FPS Flat Bottom Silos Dimensions and Capacities (Shallow Corrugation Sheet)

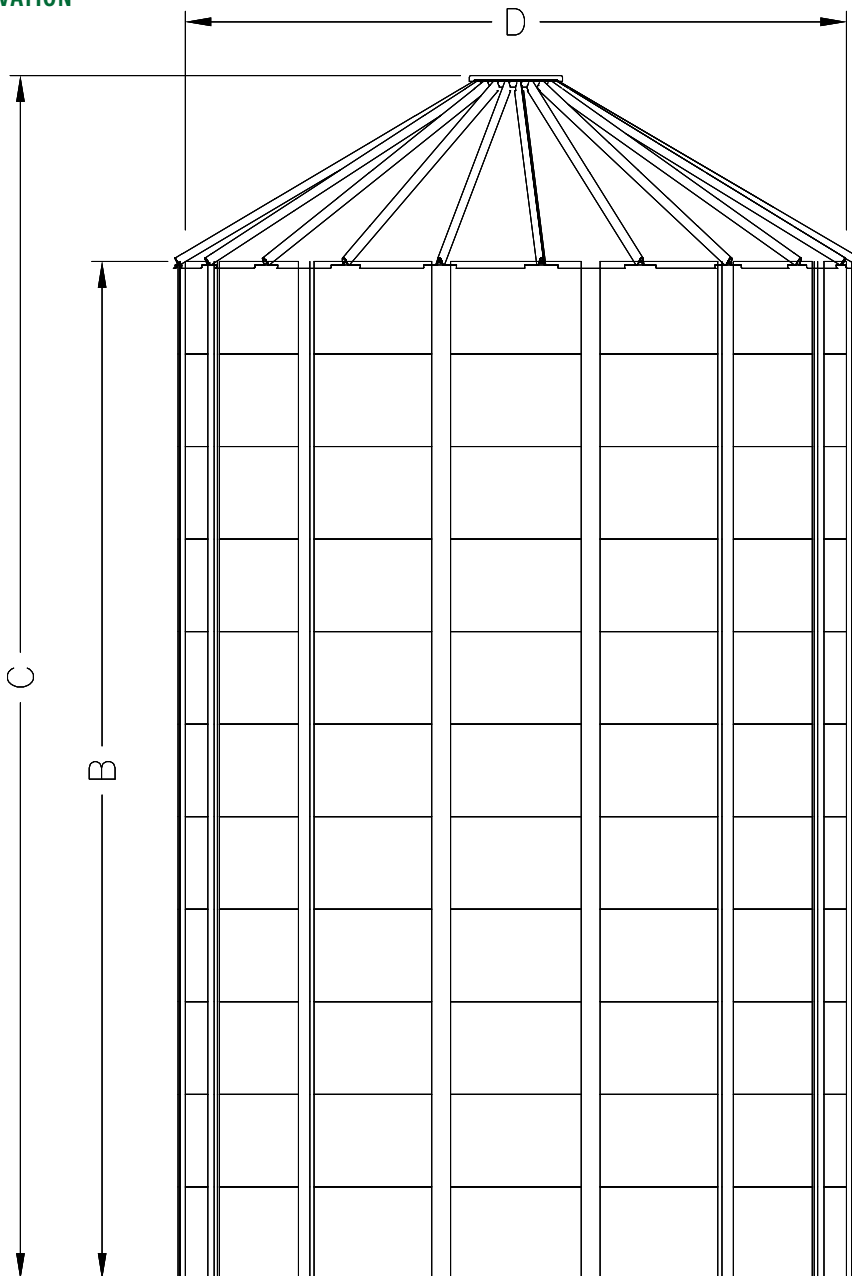
DIAMETER METERS (FT)	MODEL	HEIGHTS		CAPACITY		DIAMETER METERS (FT)	MODEL	HEIGHTS		CAPACITY			
		EAVES M (B)	OVERALL M (C)	M ³	TONNES			EAVES M (B)	OVERALL M (C)	M ³	TONNES		
FPS 29 D=26.38 m (87 FT)	FPS 29/03	3.39	10.91	3,131	2,442	FPS 31 D=28.20 m (93 FT)	FPS 31/03	3.39	11.44	3,678	2,869		
	FPS 29/04	4.51	12.03	3,741	2,918		FPS 31/04	4.51	12.56	4,376	3,413		
	FPS 29/05	5.63	13.15	4,352	3,395		FPS 31/05	5.63	13.67	5,074	3,957		
	FPS 29/06	6.74	14.27	4,963	3,871		FPS 31/06	6.74	14.79	5,772	4,502		
	FPS 29/07	7.86	15.38	5,573	4,347		FPS 31/07	7.86	15.91	6,469	5,046		
	FPS 29/08	8.98	16.50	6,184	4,824		FPS 31/08	8.98	17.03	7,167	5,590		
	FPS 29/09	10.10	17.62	6,795	5,300		FPS 31/09	10.10	18.14	7,865	6,135		
	FPS 29/10	11.21	18.74	7,406	5,776		FPS 31/10	11.21	19.26	8,563	6,679		
	FPS 29/11	12.33	19.85	8,016	6,253		FPS 31/11	12.33	20.38	9,261	7,223		
	FPS 29/12	13.45	20.97	8,627	6,729		FPS 31/12	13.45	21.50	9,959	7,768		
	FPS 29/13	14.57	22.09	9,238	7,205		FPS 31/13	14.57	22.61	10,657	8,312		
	FPS 29/14	15.68	23.21	9,849	7,682		FPS 31/14	15.68	23.73	11,354	8,856		
	FPS 29/15	16.80	24.32	10,459	8,158		FPS 31/15	16.80	24.85	12,052	9,401		
	FPS 29/16	17.92	25.44	11,070	8,635		FPS 31/16	17.92	25.97	12,750	9,945		
	FPS 29/17	19.04	26.56	11,681	9,111		FPS 31/17	19.04	27.08	13,448	10,489		
	FPS 29/18	20.16	27.68	12,291	9,587		FPS 31/18	20.16	28.20	14,146	11,034		
	FPS 29/19	21.27	28.79	12,902	10,064		FPS 31/19	21.27	29.32	14,844	11,578		
	FPS 29/20	22.39	29.91	13,513	10,540		FPS 31/20	22.39	30.44	15,542	12,123		
	FPS 29/21	23.51	31.03	14,124	11,016		FPS 31/21	23.51	31.56	16,240	12,667		
	FPS 29/22	24.63	32.15	14,734	11,493		FPS 31/22	24.63	32.67	16,937	13,211		
	FPS 29/23	25.74	33.27	15,345	11,969		FPS 31/23	25.74	33.79	17,635	13,756		
	FPS 29/24	26.86	34.38	15,956	12,446		FPS 31/24	26.86	34.91	18,333	14,300		
	FPS 29/25	27.98	35.50	16,567	12,922		FPS 31/25	27.98	36.03	19,031	14,844		
	FPS 29/26	29.10	36.62	17,177	13,398		FPS 31/26	29.10	37.14	19,729	15,389		
	FPS 29/27	30.21	37.74	17,788	13,875		FPS 31/27	30.21	38.26	20,427	15,933		
	FPS 29/28	31.33	38.85	18,399	14,351		FPS 31/28	31.33	39.38	21,125	16,477		
	FPS 29/29	32.45	39.97	19,009	14,827		FPS 31/29	32.45	40.50	21,822	17,022		
	FPS 29/30	33.57	41.09	19,620	15,304		FPS 31/30	33.57	41.61	22,520	17,566		
	FPS 30 D=27.29 m (90 FT)	FPS 30/03	3.39	11.18	3,397		2,650	FPS 32 D=29.10 m (96 FT)	FPS 32/03	3.39	11.70	3,973	3,099
		FPS 30/04	4.51	12.29	4,051		3,160		FPS 32/04	4.51	12.82	4,716	3,679
FPS 30/05		5.63	13.41	4,704	3,669	FPS 32/05	5.63		13.94	5,460	4,259		
FPS 30/06		6.74	14.53	5,358	4,179	FPS 32/06	6.74		15.05	6,204	4,839		
FPS 30/07		7.86	15.65	6,012	4,689	FPS 32/07	7.86		16.17	6,947	5,419		
FPS 30/08		8.98	16.76	6,665	5,199	FPS 32/08	8.98		17.29	7,691	5,999		
FPS 30/09		10.10	17.88	7,319	5,709	FPS 32/09	10.10		18.41	8,434	6,579		
FPS 30/10		11.21	19.00	7,972	6,218	FPS 32/10	11.21		19.52	9,178	7,159		
FPS 30/11		12.33	20.12	8,626	6,728	FPS 32/11	12.33		20.64	9,922	7,739		
FPS 30/12		13.45	21.23	9,279	7,238	FPS 32/12	13.45		21.76	10,665	8,319		
FPS 30/13		14.57	22.35	9,933	7,748	FPS 32/13	14.57		22.88	11,409	8,899		
FPS 30/14		15.68	23.47	10,587	8,258	FPS 32/14	15.68		23.99	12,152	9,479		
FPS 30/15		16.80	24.59	11,240	8,767	FPS 32/15	16.80		25.11	12,896	10,059		
FPS 30/16		17.92	25.70	11,894	9,277	FPS 32/16	17.92		26.23	13,640	10,639		
FPS 30/17		19.04	26.82	12,547	9,787	FPS 32/17	19.04		27.35	14,383	11,219		
FPS 30/18		20.16	27.94	13,201	10,297	FPS 32/18	20.16		28.46	15,127	11,799		
FPS 30/19		21.27	29.06	13,854	10,806	FPS 32/19	21.27		29.58	15,871	12,379		
FPS 30/20		22.39	30.17	14,508	11,316	FPS 32/20	22.39		30.70	16,614	12,959		
FPS 30/21		23.51	31.29	15,162	11,826	FPS 32/21	23.51		31.82	17,358	13,539		
FPS 30/22		24.63	32.41	15,815	12,336	FPS 32/22	24.63		32.94	18,101	14,119		
FPS 30/23		25.74	33.53	16,469	12,846	FPS 32/23	25.74		34.05	18,845	14,699		
FPS 30/24		26.86	34.65	17,122	13,355	FPS 32/24	26.86		35.17	19,589	15,279		
FPS 30/25		27.98	35.76	17,776	13,865	FPS 32/25	27.98		36.29	20,332	15,859		
FPS 30/26		29.10	36.88	18,429	14,375	FPS 32/26	29.10		37.41	21,076	16,439		
FPS 30/27		30.21	38.00	19,083	14,885	FPS 32/27	30.21		38.52	21,819	17,019		
FPS 30/28		31.33	39.12	19,737	15,395	FPS 32/28	31.33		39.64	22,563	17,599		
FPS 30/29		32.45	40.23	20,390	15,904	FPS 32/29	32.45		40.76	23,307	18,179		
FPS 30/30		33.57	41.35	21,044	16,414	FPS 32/30	33.57		41.88	24,050	18,759		

FPS Flat Bottom Silos Dimensions and Capacities (Shallow Corrugation Sheet)

DIAMETER METERS (FT)	MODEL	HEIGHTS		CAPACITY		DIAMETER METERS (FT)	MODEL	HEIGHTS		CAPACITY		
		EAVES M (B)	OVERALL M (C)	M ³	TONNES			EAVES M (B)	OVERALL M (C)	M ³	TONNES	
FPS 33 D=30.02 m (99 FT)	FPS 33/03	3.39	11.90	4,282	3,340	FPS 35 D=31.83 m (105 FT)	FPS 35/03	3.39	12.43	4,945	3,857	
	FPS 33/04	4.51	13.02	5,073	3,957		FPS 35/04	4.51	13.55	5,835	4,551	
	FPS 33/05	5.63	14.14	5,864	4,574		FPS 35/05	5.63	14.66	6,724	5,245	
	FPS 33/06	6.74	15.26	6,654	5,190		FPS 35/06	6.74	15.78	7,614	5,939	
	FPS 33/07	7.86	16.37	7,445	5,807		FPS 35/07	7.86	16.90	8,503	6,633	
	FPS 33/08	8.98	17.49	8,236	6,424		FPS 35/08	8.98	18.02	9,393	7,326	
	FPS 33/09	10.10	18.61	9,027	7,041		FPS 35/09	10.10	19.14	10,282	8,020	
	FPS 33/10	11.21	19.73	9,818	7,658		FPS 35/10	11.21	20.25	11,172	8,714	
	FPS 33/11	12.33	20.85	10,608	8,275		FPS 35/11	12.33	21.37	12,062	9,408	
	FPS 33/12	13.45	21.96	11,399	8,891		FPS 35/12	13.45	22.49	12,951	10,102	
	FPS 33/13	14.57	23.08	12,190	9,508		FPS 35/13	14.57	23.61	13,841	10,796	
	FPS 33/14	15.68	24.20	12,981	10,125		FPS 35/14	15.68	24.72	14,730	11,490	
	FPS 33/15	16.80	25.32	13,772	10,742		FPS 35/15	16.80	25.84	15,620	12,184	
	FPS 33/16	17.92	26.43	14,563	11,359		FPS 35/16	17.92	26.96	16,509	12,877	
	FPS 33/17	19.04	27.55	15,353	11,976		FPS 35/17	19.04	28.08	17,399	13,571	
	FPS 33/18	20.16	28.67	16,144	12,592		FPS 35/18	20.16	29.19	18,289	14,265	
	FPS 33/19	21.27	29.79	16,935	13,209		FPS 35/19	21.27	30.31	19,178	14,959	
	FPS 33/20	22.39	30.90	17,726	13,826		FPS 35/20	22.39	31.43	20,068	15,653	
	FPS 33/21	23.51	32.02	18,517	14,443		FPS 35/21	23.51	32.55	20,957	16,347	
	FPS 33/22	24.63	33.14	19,307	15,060		FPS 35/22	24.63	33.66	21,847	17,041	
	FPS 33/23	25.74	34.26	20,098	15,677		FPS 35/23	25.74	34.78	22,737	17,735	
	FPS 33/24	26.86	35.37	20,889	16,293		FPS 35/24	26.86	35.90	23,626	18,428	
	FPS 33/25	27.98	36.49	21,680	16,910		FPS 35/25	27.98	37.02	24,516	19,122	
	FPS 33/26	29.10	37.61	22,471	17,527		FPS 35/26	29.10	38.13	25,405	19,816	
	FPS 33/27	30.21	38.73	23,262	18,144		FPS 35/27	30.21	39.25	26,295	20,510	
	FPS 33/28	31.33	39.84	24,052	18,761		FPS 35/28	31.33	40.37	27,184	21,204	
	FPS 33/29	32.45	40.96	24,843	19,378		FPS 35/29	32.45	41.49	28,074	21,898	
	FPS 33/30	33.57	42.08	25,634	19,995		FPS 36/03	3.39	12.69	5,299	4,134	
	FPS 34 D=30.92 m (102 FT)	FPS 34/03	3.39	12.17	4,606		3,593	FPS 36/04	4.51	13.81	6,241	4,868
		FPS 34/04	4.51	13.28	5,445		4,247	FPS 36/05	5.63	14.93	7,182	5,602
FPS 34/05		5.63	14.40	6,285	4,902	FPS 36/06	6.74	16.05	8,123	6,336		
FPS 34/06		6.74	15.52	7,124	5,557	FPS 36/07	7.86	17.16	9,064	7,070		
FPS 34/07		7.86	16.64	7,964	6,212	FPS 36/08	8.98	18.28	10,005	7,804		
FPS 34/08		8.98	17.76	8,803	6,867	FPS 36/09	10.10	19.40	10,946	8,538		
FPS 34/09		10.10	18.87	9,643	7,521	FPS 36/10	11.21	20.52	11,887	9,272		
FPS 34/10		11.21	19.99	10,482	8,176	FPS 36/11	12.33	21.63	12,829	10,006		
FPS 34/11		12.33	21.11	11,322	8,831	FPS 36/12	13.45	22.75	13,770	10,740		
FPS 34/12		13.45	22.23	12,161	9,486	FPS 36/13	14.57	23.87	14,711	11,474		
FPS 34/13		14.57	23.34	13,001	10,140	FPS 36/14	15.68	24.99	15,652	12,209		
FPS 34/14		15.68	24.46	13,840	10,795	FPS 36/15	16.80	26.10	16,593	12,943		
FPS 34/15		16.80	25.58	14,680	11,450	FPS 36/16	17.92	27.22	17,534	13,677		
FPS 34/16		17.92	26.70	15,519	12,105	FPS 36/17	19.04	28.34	18,475	14,411		
FPS 34/17		19.04	27.81	16,359	12,760	FPS 36/18	20.16	29.46	19,417	15,145		
FPS 34/18		20.16	28.93	17,198	13,414	FPS 36/19	21.27	30.57	20,358	15,879		
FPS 34/19		21.27	30.05	18,037	14,069	FPS 36/20	22.39	31.69	21,299	16,613		
FPS 34/20		22.39	31.17	18,877	14,724	FPS 36/21	23.51	32.81	22,240	17,347		
FPS 34/21		23.51	32.28	19,716	15,379	FPS 36/22	24.63	33.93	23,181	18,081		
FPS 34/22		24.63	33.40	20,556	16,034	FPS 36/23	25.74	35.04	24,122	18,815		
FPS 34/23		25.74	34.52	21,395	16,688	FPS 36/24	26.86	36.16	25,063	19,549		
FPS 34/24		26.86	35.64	22,235	17,343	FPS 36/25	27.98	37.28	26,005	20,284		
FPS 34/25		27.98	36.75	23,074	17,998	FPS 36/26	29.10	38.40	26,946	21,018		
FPS 34/26		29.10	37.87	23,914	18,653	FPS 36/27	30.21	39.51	27,887	21,752		
FPS 34/27		30.21	38.99	24,753	19,308							
FPS 34/28		31.33	40.11	25,593	19,962							
FPS 34/29		32.45	41.22	26,432	20,617							
FPS 34/30		33.57	42.34	27,272	21,272							

FPS Flat Bottom Silos Dimensions and Capacities (Shallow Corrugation Sheet)

ELEVATION

**Note**

1. Heights might be subjected to +/- 0,030 m variation depending on the site conditions
2. Capacities are to be considered UNCOMPACTED
3. The maximum number of rings is referred to standard ambiental data: 73,6 daN/m² for snow; 100daN/m² for design wind pressure; 0,00g for seismic



POLONIA- 15.000 T

FC45S Hopper Silos Dimensions and Capacities (Shallow Corrugation Sheet)

DIAMETER METERS (FT)	MODEL	HEIGHTS			CAPACITY		DIAMETER METERS (FT)	MODEL	HEIGHTS			CAPACITY		
		STRUCTURES M (A)	EAVES M (B)	OVERALL M (C)	M ³	TONNES			STRUCTURES M (A)	EAVES M (B)	OVERALL M (C)	M ³	TONNES	
FC45S 04 D=3.64 m (12 FT)	FC45S 04/03	2.49	6.37	7.36	45	35	FC45S 06 D=5.46 m (18 FT)	FC45S 06/03	3.39	7.28	8.79	112	87	
	FC45S 04/04	2.49	6.99	7.98	57	44		FC45S 06/04	3.39	7.90	9.41	138	108	
	FC45S 04/05	2.49	8.11	9.09	68	53		FC45S 06/05	3.39	9.02	10.53	164	128	
	FC45S 04/06	2.49	9.22	10.21	80	62		FC45S 06/06	3.39	10.13	11.65	190	148	
	FC45S 04/07	2.49	10.34	11.33	91	71		FC45S 06/07	3.39	11.25	12.76	216	169	
	FC45S 04/08	2.49	11.46	12.45	103	80		FC45S 06/08	3.39	12.37	13.88	243	189	
	FC45S 04/09	2.49	12.58	13.56	115	89		FC45S 06/09	3.39	13.49	15.00	269	210	
	FC45S 04/10	2.49	13.69	14.68	126	98		FC45S 06/10	3.39	14.60	16.12	295	230	
	FC45S 04/11	2.49	14.81	15.80	138	108		FC45S 06/11	3.39	15.72	17.23	321	250	
	FC45S 04/12	2.49	15.93	16.92	149	117		FC45S 06/12	3.39	16.84	18.35	347	271	
	FC45S 05 D=4.55 m (15 FT)	FC45S 05/03	2.93	6.83	8.08	74		58	FC45S 06/13	3.39	17.96	19.47	373	291
		FC45S 05/04	2.93	7.44	8.69	92		72	FC45S 06/14	3.39	19.07	20.59	399	312
FC45S 05/05		2.93	8.56	9.81	110	86	FC45S 06/15	3.39	20.19	21.70	426	332		
FC45S 05/06		2.93	9.68	10.93	128	100	FC45S 06/16	3.39	21.31	22.82	452	352		
FC45S 05/07		2.93	10.80	12.05	147	114	FC45S 06/17	3.39	22.43	23.94	478	373		
FC45S 05/08		2.93	11.91	13.16	165	128	FC45S 06/18	3.39	23.54	25.06	504	393		
FC45S 05/09		2.93	13.03	14.28	183	143	FC45S 06/19	3.39	24.66	26.17	530	414		
FC45S 05/10		2.93	14.15	15.40	201	157	FC45S 07 D=6.37 m (21 FT)	FC45S 07/03	3.84	7.73	9.51	160	125	
FC45S 05/11		2.93	15.27	16.52	219	171		FC45S 07/04	3.84	8.35	10.13	195	152	
FC45S 05/12		2.93	16.38	17.63	237	185		FC45S 07/05	3.84	9.47	11.25	231	180	
FC45S 05/13		2.93	17.50	18.75	255	199		FC45S 07/06	3.84	10.59	12.36	266	208	
FC45S 05/14		2.93	18.62	19.87	274	213		FC45S 07/07	3.84	11.71	13.48	302	236	
FC45S 05/15		2.93	19.74	20.99	292	228		FC45S 07/08	3.84	12.82	14.60	338	263	
FC45S 05/16		2.93	20.85	22.10	310	242		FC45S 07/09	3.84	13.94	15.72	373	291	
								FC45S 07/10	3.84	15.06	16.83	409	319	
								FC45S 07/11	3.84	16.18	17.95	444	347	
						FC45S 07/12		3.84	17.29	19.07	480	374		
						FC45S 07/13		3.84	18.41	20.19	516	402		
						FC45S 07/14		3.84	19.53	21.30	551	430		
						FC45S 07/15		3.84	20.65	22.42	587	458		
						FC45S 07/16		3.84	21.76	23.54	622	485		
						FC45S 07/17		3.84	22.88	24.66	658	513		
						FC45S 07/18		3.84	24.00	25.77	693	541		
						FC45S 07/19	3.84	25.12	26.89	729	569			
						FC45S 07/20	3.84	26.23	28.01	765	596			
						FC45S 07/21	3.84	27.35	29.13	800	624			
						FC45S 07/22	3.84	28.47	30.25	836	652			
						FC45S 07/23	3.84	29.59	31.36	871	680			

Note

1. Heights might be subjected to +/- 0,030 m variation depending on the site conditions
2. Capacities are to be considered UNCOMPACTED
3. The maximum number of rings is referred to standard ambiental data: 73,6 daN/m² for snow; 100daN/m² for design wind pressure; 0,00g for seismic

FC45S Hopper Silos Dimensions and Capacities (Shallow Corrugation Sheet)

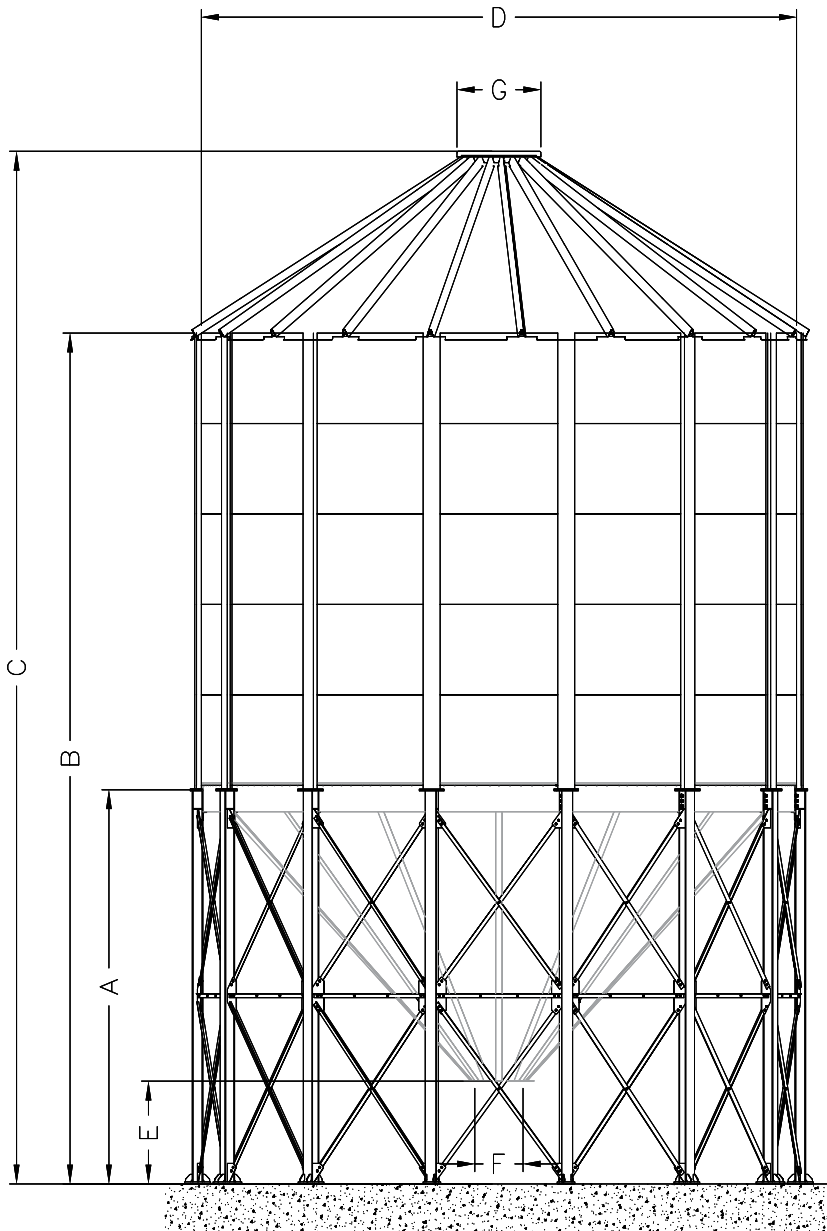
DIAMETER METERS (FT)	MODEL	HEIGHTS			CAPACITY		DIAMETER METERS (FT)	MODEL	HEIGHTS			CAPACITY	
		STRUCTURES M (A)	EAVES M (B)	OVERALL M (C)	M ³	TONNES			STRUCTURES M (A)	EAVES M (B)	OVERALL M (C)	M ³	TONNES
FC45S 08 D=7.28 m (24 FT)	FC45S 08/03	4.29	8.19	10.23	218	170	FC45S 10 D=9.10 m (30 FT)	FC45S 10/03	5.84	9.73	12.15	380	297
	FC45S 08/04	4.29	8.81	10.85	265	207		FC45S 10/04	5.84	10.35	12.77	453	353
	FC45S 08/05	4.29	9.92	11.96	311	243		FC45S 10/05	5.84	11.46	13.89	526	410
	FC45S 08/06	4.29	11.04	13.08	358	279		FC45S 10/06	5.84	12.58	15.00	598	467
	FC45S 08/07	4.29	12.16	14.20	404	315		FC45S 10/07	5.84	13.70	16.12	671	523
	FC45S 08/08	4.29	13.28	15.32	451	352		FC45S 10/08	5.84	14.82	17.24	743	580
	FC45S 08/09	4.29	14.40	16.43	497	388		FC45S 10/09	5.84	15.93	18.36	816	637
	FC45S 08/10	4.29	15.51	17.55	544	424		FC45S 10/10	5.84	17.05	19.48	889	693
	FC45S 08/11	4.29	16.63	18.67	590	460		FC45S 10/11	5.84	18.17	20.59	961	750
	FC45S 08/12	4.29	17.75	19.79	637	497		FC45S 10/12	5.84	19.29	21.71	1,034	806
	FC45S 08/13	4.29	18.87	20.90	683	533		FC45S 10/13	5.84	20.41	22.83	1,107	863
	FC45S 08/14	4.29	19.98	22.02	730	569		FC45S 10/14	5.84	21.52	23.95	1,179	920
	FC45S 08/15	4.29	21.10	23.14	776	605		FC45S 10/15	5.84	22.64	25.06	1,252	976
	FC45S 08/16	4.29	22.22	24.26	822	642		FC45S 10/16	5.84	23.77	26.19	1,325	1,034
	FC45S 08/17	4.29	23.34	25.37	869	678		FC45S 10/17	5.84	24.89	27.31	1,398	1,090
	FC45S 08/18	4.29	24.45	26.49	915	714		FC45S 10/18	5.84	26.00	28.43	1,470	1,147
	FC45S 08/19	4.29	25.57	27.61	962	750		FC45S 10/19	5.84	27.12	29.54	1,543	1,203
	FC45S 08/20	4.29	26.69	28.73	1,008	787		FC45S 10/20	5.84	28.24	30.66	1,616	1,260
	FC45S 08/21	4.29	27.81	29.84	1,055	823		FC45S 10/21	5.84	29.36	31.78	1,688	1,317
	FC45S 08/22	4.29	28.92	30.96	1,101	859		FC45S 10/22	5.84	30.47	32.90	1,761	1,373
FC45S 08/23	4.29	30.04	32.08	1,148	895	FC45S 10/23	5.84	31.59	34.01	1,833	1,430		
FC45S 09 D=8.19 m (27 FT)	FC45S 09/03	5.29	8.98	11.29	294	229	FC45S 11 D=10.01 m (33 FT)	FC45S 11/03	6.31	10.19	12.88	479	374
	FC45S 09/04	5.29	9.60	11.90	353	275		FC45S 11/04	6.31	10.81	13.50	567	442
	FC45S 09/05	5.29	10.72	13.02	411	321		FC45S 11/05	6.31	11.93	14.61	655	511
	FC45S 09/06	5.29	11.84	14.14	470	367		FC45S 11/06	6.31	13.05	15.73	743	579
	FC45S 09/07	5.29	12.95	15.26	529	413		FC45S 11/07	6.31	14.16	16.85	831	648
	FC45S 09/08	5.29	14.07	16.37	588	459		FC45S 11/08	6.31	15.28	17.97	919	716
	FC45S 09/09	5.29	15.19	17.49	647	504		FC45S 11/09	6.31	16.40	19.09	1,006	785
	FC45S 09/10	5.29	16.31	18.61	705	550		FC45S 11/10	6.31	17.52	20.20	1,094	854
	FC45S 09/11	5.29	17.43	19.73	764	596		FC45S 11/11	6.31	18.63	21.32	1,182	922
	FC45S 09/12	5.29	18.54	20.84	823	642		FC45S 11/12	6.31	19.75	22.44	1,270	991
	FC45S 09/13	5.29	19.66	21.96	882	688		FC45S 11/13	6.31	20.87	23.56	1,358	1,059
	FC45S 09/14	5.29	20.78	23.08	941	734		FC45S 11/14	6.31	21.99	24.67	1,446	1,128
	FC45S 09/15	5.29	21.90	24.20	1,000	780		FC45S 11/15	6.31	23.11	25.79	1,534	1,196
	FC45S 09/16	5.29	23.01	25.31	1,058	826		FC45S 11/16	6.31	24.23	26.92	1,622	1,265
	FC45S 09/17	5.29	24.13	26.43	1,117	871		FC45S 11/17	6.31	25.35	28.04	1,710	1,334
	FC45S 09/18	5.29	25.25	27.55	1,176	917		FC45S 11/18	6.31	26.47	29.15	1,798	1,402
	FC45S 09/19	5.29	26.37	28.67	1,235	963		FC45S 11/19	6.31	27.59	30.27	1,886	1,471
	FC45S 09/20	5.29	27.48	29.78	1,294	1,009		FC45S 11/20	6.31	28.70	31.39	1,974	1,540
	FC45S 09/21	5.29	28.60	30.90	1,353	1,055		FC45S 11/21	6.31	29.82	32.51	2,062	1,608
	FC45S 09/22	5.29	29.72	32.02	1,411	1,101		FC45S 11/22	6.31	30.94	33.62	2,150	1,677
FC45S 09/23	5.29	30.84	33.14	1,470	1,147	FC45S 11/23	6.31	32.06	34.74	2,237	1,745		

FC45S Hopper Silos Dimensions and Capacities (Shallow Corrugation Sheet)

DIAMETER METERS (FT)	MODEL	HEIGHTS			CAPACITY		DIAMETER METERS (FT)	MODEL	HEIGHTS			CAPACITY			
		STRUCTURES M (A)	EAVES M (B)	OVERALL M (C)	M ³	TONNES			STRUCTURES M (A)	EAVES M (B)	OVERALL M (C)	M ³	TONNES		
FC45S 12 D=10.91 m (36 FT)	FC45S 12/03	6.82	10.66	13.61	593	463	FC45S 14 D=12.73 m (42 FT)	FC45S 14/03	7.71	11.60	15.07	870	679		
	FC45S 12/04	6.82	11.28	14.22	698	544		FC45S 14/04	7.71	12.22	15.69	1,012	790		
	FC45S 12/05	6.82	12.39	15.34	802	626		FC45S 14/05	7.71	13.33	16.81	1,155	901		
	FC45S 12/06	6.82	13.51	16.46	907	707		FC45S 14/06	7.71	14.45	17.92	1,297	1,012		
	FC45S 12/07	6.82	14.63	17.58	1,011	789		FC45S 14/07	7.71	15.57	19.04	1,439	1,123		
	FC45S 12/08	6.82	15.75	18.69	1,116	870		FC45S 14/08	7.71	16.69	20.16	1,582	1,234		
	FC45S 12/09	6.82	16.86	19.81	1,220	952		FC45S 14/09	7.71	17.80	21.28	1,724	1,345		
	FC45S 12/10	6.82	17.98	20.93	1,325	1,033		FC45S 14/10	7.71	18.92	22.39	1,866	1,456		
	FC45S 12/11	6.82	19.10	22.05	1,430	1,115		FC45S 14/11	7.71	20.04	23.51	2,009	1,567		
	FC45S 12/12	6.82	20.22	23.17	1,534	1,197		FC45S 14/12	7.71	21.16	24.63	2,151	1,678		
	FC45S 12/13	6.82	21.33	24.28	1,639	1,278		FC45S 14/13	7.71	22.27	25.75	2,293	1,789		
	FC45S 12/14	6.82	22.45	25.40	1,743	1,360		FC45S 14/14	7.71	23.39	26.87	2,436	1,900		
	FC45S 12/15	6.82	23.57	26.52	1,848	1,441		FC45S 14/15	7.71	24.51	27.98	2,578	2,011		
	FC45S 12/16	6.82	24.70	27.65	1,954	1,524		FC45S 14/16	7.71	25.64	29.11	2,722	2,123		
	FC45S 12/17	6.82	25.82	28.77	2,058	1,606		FC45S 14/17	7.71	26.75	30.23	2,864	2,234		
	FC45S 12/18	6.82	26.94	29.89	2,163	1,687		FC45S 14/18	7.71	27.87	31.35	3,006	2,345		
	FC45S 12/19	6.82	28.06	31.00	2,268	1,769		FC45S 14/19	7.71	28.99	32.46	3,149	2,456		
	FC45S 12/20	6.82	29.17	32.12	2,372	1,850		FC45S 14/20	7.71	30.11	33.58	3,291	2,567		
	FC45S 12/21	6.82	30.29	33.24	2,477	1,932		FC45S 14/21	7.71	31.23	34.70	3,433	2,678		
	FC45S 12/22	6.82	31.41	34.36	2,581	2,013		FC45S 14/22	7.71	32.34	35.82	3,576	2,789		
	FC45S 12/23	6.82	32.53	35.47	2,686	2,095		FC45S 14/23	7.71	33.46	36.93	3,718	2,900		
	FC45S 13 D=11.82 m (39 FT)	FC45S 13/03	7.27	11.14	14.35	725		565							
		FC45S 13/04	7.27	11.76	14.97	847		661							
FC45S 13/05		7.27	12.88	16.09	970	757									
FC45S 13/06		7.27	14.00	17.21	1,093	852									
FC45S 13/07		7.27	15.11	18.32	1,216	948									
FC45S 13/08		7.27	16.23	19.44	1,338	1,044									
FC45S 13/09		7.27	17.35	20.56	1,461	1,140									
FC45S 13/10		7.27	18.47	21.68	1,584	1,235									
FC45S 13/11		7.27	19.58	22.80	1,707	1,331									
FC45S 13/12		7.27	20.70	23.91	1,829	1,427									
FC45S 13/13		7.27	21.82	25.03	1,952	1,523									
FC45S 13/14		7.27	22.94	26.15	2,075	1,618									
FC45S 13/15		7.27	24.05	27.27	2,197	1,714									
FC45S 13/16		7.27	25.18	28.39	2,321	1,811									
FC45S 13/17		7.27	26.30	29.51	2,444	1,906									
FC45S 13/18		7.27	27.42	30.63	2,567	2,002									
FC45S 13/19		7.27	28.54	31.75	2,689	2,098									
FC45S 13/20		7.27	29.65	32.86	2,812	2,194									
FC45S 13/21		7.27	30.77	33.98	2,935	2,289									
FC45S 13/22		7.27	31.89	35.10	3,058	2,385									
FC45S 13/23	7.27	33.01	36.22	3,180	2,481										

FC45S Hopper Silos Dimensions and Capacities (Shallow Corrugation Sheet)

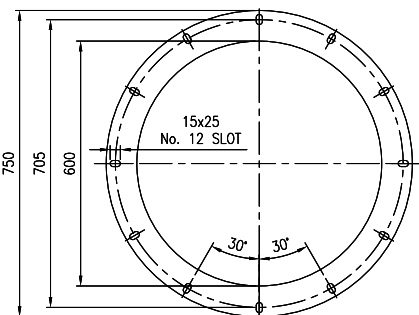
ELEVATION



LEGEND AND DETAILS

- A = Structure height
- B = Height to eave
- C = Overall height
- D = Bin sheets mean diameter
- E= Outlet collar clearance for FC-45 from mod. 04 to 08 = 1.00 m and from mod. 09 to 14 = 1.45 m
- F* = Outlet collar inside diameter = 600 mm
- G* = Roof cap diameter = 900 mm (max. diam. of inlet pipe 420 mm)

* = Fixed dimensions



HOPPER OUTLET DETAIL

Note

1. Heights might be subjected to +/- 0,030 m variation depending on the site conditions
2. Capacities are to be considered UNCOMPACTED
3. The maximum number of rings is referred to standard ambiental data: 73,6 daN/m² for snow; 100daN/m² for design wind pressure; 0,00g for seismic

FC60S Hopper Silos Dimensions and Capacities (Shallow Corrugation Sheet)

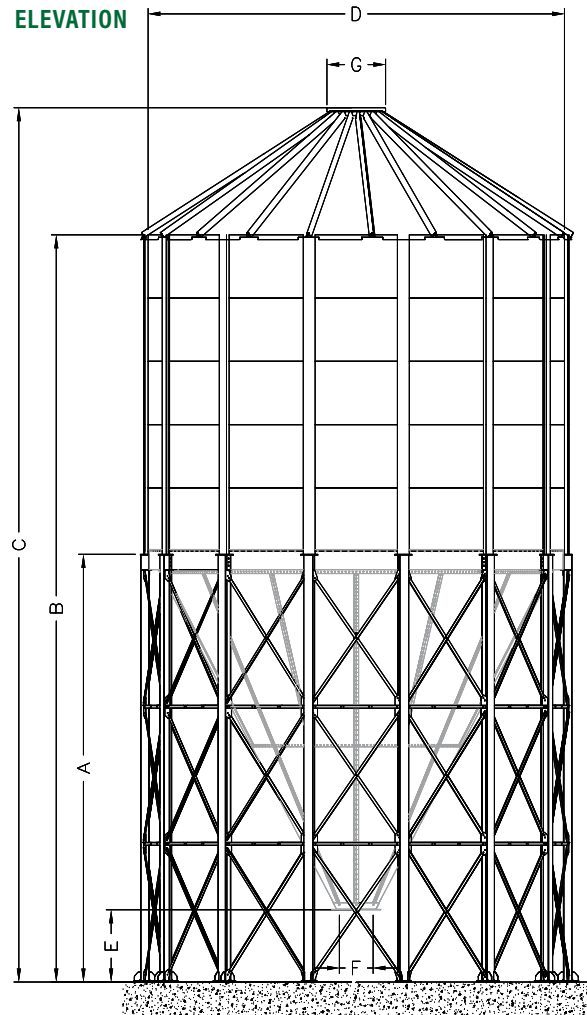
DIAMETER METERS (FT)	MODEL	HEIGHTS			CAPACITY		DIAMETER METERS (FT)	MODEL	HEIGHTS			CAPACITY		
		STRUCTURES M (A)	EAVES M (B)	OVERALL M (C)	M ³	TONNES			STRUCTURES M (A)	EAVES M (B)	OVERALL M (C)	M ³	TONNES	
FC60S 04 D=3.64 m (12 FT)	FC60S 04/03	3.59	7.87	8.86	50	39	FC60S 06 D=5.46 m (18 FT)	FC60S 06/03	5.17	9.46	10.98	130	101	
	FC60S 04/04	3.59	8.12	9.11	62	48		FC60S 06/04	5.17	9.72	11.23	156	121	
	FC60S 04/05	3.59	9.24	10.23	73	57		FC60S 06/05	5.17	10.83	12.35	182	142	
	FC60S 04/06	3.59	10.36	11.34	85	66		FC60S 06/06	5.17	11.95	13.46	208	162	
	FC60S 04/07	3.59	11.47	12.46	97	75		FC60S 06/07	5.17	13.07	14.58	234	183	
	FC60S 04/08	3.59	12.59	13.58	108	85		FC60S 06/08	5.17	14.19	15.70	260	203	
	FC60S 04/09	3.59	13.71	14.70	120	94		FC60S 06/09	5.17	15.30	16.82	286	223	
	FC60S 04/10	3.59	14.83	15.81	132	103		FC60S 06/10	5.17	16.42	17.93	313	244	
	FC60S 04/11	3.59	15.94	16.93	143	112		FC60S 06/11	5.17	17.54	19.05	339	264	
	FC60S 04/12	3.59	17.06	18.05	155	121		FC60S 06/12	5.17	18.66	20.17	365	285	
	FC60S 05 D=4.55 m (15 FT)	FC60S 05/03	4.38	8.66	9.91	84		66	FC60S 06/13	5.17	19.77	21.29	391	305
		FC60S 05/04	4.38	8.91	10.16	102		80	FC60S 06/14	5.17	20.89	22.40	417	325
FC60S 05/05		4.38	10.03	11.28	120	94	FC60S 06/15	5.17	22.01	23.52	443	346		
FC60S 05/06		4.38	11.14	12.39	139	108	FC60S 06/16	5.17	23.13	24.64	469	366		
FC60S 05/07		4.38	12.26	13.51	157	122	FC60S 06/17	5.17	24.24	25.76	496	387		
FC60S 05/08		4.38	13.38	14.63	175	136	FC60S 06/18	5.17	25.36	26.88	522	407		
FC60S 05/09		4.38	14.50	15.75	193	151	FC60S 06/19	5.17	26.48	27.99	548	427		
FC60S 05/10		4.38	15.61	16.86	211	165	FC60S 07 D=6.37 m (21 FT)	FC60S 07/03	5.95	10.25	12.03	187	146	
FC60S 05/11		4.38	16.73	17.98	229	179		FC60S 07/04	5.95	10.50	12.28	223	174	
FC60S 05/12		4.38	17.85	19.10	247	193		FC60S 07/05	5.95	11.62	13.40	258	202	
FC60S 05/13		4.38	18.97	20.22	266	207		FC60S 07/06	5.95	12.74	14.51	294	229	
FC60S 05/14		4.38	20.08	21.33	284	221		FC60S 07/07	5.95	13.86	15.63	330	257	
FC60S 05/15	4.38	21.20	22.45	302	236	FC60S 07/08		5.95	14.97	16.75	365	285		
FC60S 05/16	4.38	22.32	23.57	320	250	FC60S 07/09		5.95	16.09	17.87	401	313		
						FC60S 07/10		5.95	17.21	18.98	436	340		
						FC60S 07/11		5.95	18.33	20.10	472	368		
						FC60S 07/12		5.95	19.44	21.22	508	396		
						FC60S 07/13		5.95	20.56	22.34	543	424		
						FC60S 07/14		5.95	21.68	23.46	579	451		
						FC60S 07/15	5.95	22.80	24.57	614	479			
						FC60S 07/16	5.95	23.91	25.69	650	507			
						FC60S 07/17	5.95	25.03	26.81	685	535			
						FC60S 07/18	5.95	26.15	27.93	721	562			
						FC60S 07/19	5.95	27.27	29.04	757	590			
						FC60S 07/20	5.95	28.38	30.16	792	618			
						FC60S 07/21	5.95	29.50	31.28	828	646			
						FC60S 07/22	5.95	30.62	32.40	863	673			
						FC60S 07/23	5.95	31.74	33.51	899	701			

Note

1. Heights might be subjected to +/- 0,030 m variation depending on the site conditions
2. Capacities are to be considered UNCOMPACTED
3. The maximum number of rings is referred to standard ambiental data: 73,6 daN/m² for snow; 100daN/m² for design wind pressure; 0,00g for seismic

FC60S Hopper Silos Dimensions and Capacities (Shallow Corrugation Sheet)

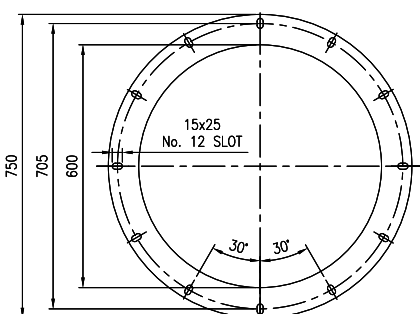
DIAMETER METERS (FT)	MODEL	HEIGHTS			CAPACITY	
		STRUCTURES M (A)	EAVES M (B)	OVERALL M (C)	M ³	TONNES
FC60S 08 D=7.28 m (24 FT)	FC60S 08/03	6.74	11.34	13.38	259	202
	FC60S 08/04	6.74	11.59	13.63	306	239
	FC60S 08/05	6.74	12.71	14.75	352	275
	FC60S 08/06	6.74	13.83	15.86	399	311
	FC60S 08/07	6.74	14.94	16.98	445	347
	FC60S 08/08	6.74	16.06	18.10	492	384
	FC60S 08/09	6.74	17.18	19.22	538	420
	FC60S 08/10	6.74	18.30	20.34	585	456
	FC60S 08/11	6.74	19.41	21.45	631	492
	FC60S 08/12	6.74	20.53	22.57	678	529
	FC60S 08/13	6.74	21.65	23.69	724	565
	FC60S 08/14	6.74	22.77	24.81	771	601
	FC60S 08/15	6.74	23.88	25.92	817	637
	FC60S 08/16	6.74	25.00	27.04	864	674
	FC60S 08/17	6.74	26.12	28.16	910	710
	FC60S 08/18	6.74	27.24	29.28	956	746
	FC60S 08/19	6.74	28.35	30.39	1,003	782
	FC60S 08/20	6.74	29.47	31.51	1,049	819
	FC60S 08/21	6.74	30.59	32.63	1,096	855
	FC60S 08/22	6.74	31.71	33.75	1,142	891
	FC60S 08/23	6.74	32.83	34.86	1,189	927



LEGEND AND DETAILS

- A = Structure height
- B = Height to eave
- C = Overall height
- D = Bin sheets mean diameter
- E* = Outlet collar clearance = 1000 mm
- F* = Outlet collar inside diameter = 600 mm
- G* = Roof cap diameter = 900 mm
(max. diam. of inlet pipe 420 mm)

* = Fixed dimensions



HOPPER OUTLET DETAIL

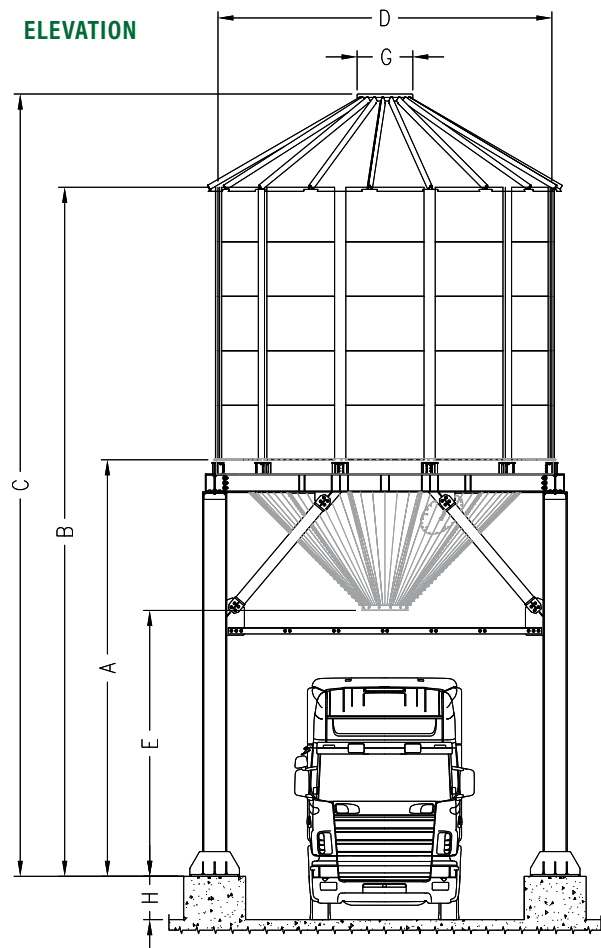
Note

1. Heights might be subjected to +/- 0,030 m variation depending on the site conditions
2. Capacities are to be considered UNCOMPACTED
3. The maximum number of rings is referred to standard ambiantal data: 73,6 daN/m² for snow; 100daN/m² for design wind pressure; 0,00g for seismic

CR45S Hopper Silos Dimensions and Capacities (Shallow Corrugation Sheet)

DIAMETER METERS (FT)	MODEL	HEIGHTS			CAPACITY	
		STRUCTURES M (A)	EAVES M (B)	OVERALL M (C)	M ³	TONNES
CR45S 05 D=4.55 m (15 FT)	CR45S 05/03	6.42	9.81	11.06	74	58
	CR45S 05/04	6.42	10.93	12.18	92	72
	CR45S 05/05	6.42	12.05	13.30	110	86
	CR45S 05/06	6.42	13.16	14.41	128	100
	CR45S 05/07	6.42	14.28	15.53	147	114
	CR45S 05/08	6.42	15.40	16.65	165	128
	CR45S 05/09	6.42	16.52	17.77	183	143
	CR45S 06/03	6.72	10.11	11.62	112	87
	CR45S 06/04	6.72	11.23	12.74	138	108
CR45S 06 D=5.46 m (18 FT)	CR45S 06/05	6.72	12.35	13.86	164	128
	CR45S 06/06	6.72	13.46	14.97	190	148
	CR45S 06/07	6.72	14.58	16.09	216	169
	CR45S 06/08	6.72	15.70	17.21	243	189
	CR45S 06/09	6.72	16.82	18.33	269	210
	CR45S 06/10	6.72	17.93	19.44	295	230
	CR45S 06/11	6.72	19.05	20.56	321	250
	CR45S 07/03	7.73	11.12	12.90	160	125
	CR45S 07/04	7.73	12.24	14.02	195	152
CR45S 07 D=6.37 m (21 FT)	CR45S 07/05	7.73	13.36	15.14	231	180
	CR45S 07/06	7.73	14.47	16.25	266	208
	CR45S 07/07	7.73	15.59	17.37	302	236
	CR45S 07/08	7.73	16.71	18.49	338	263
	CR45S 07/09	7.73	17.83	19.61	373	291
	CR45S 07/10	7.73	18.94	20.72	409	319
	CR45S 07/11	7.73	20.06	21.84	444	347
	CR45S 07/12	7.73	21.18	22.96	480	374

ELEVATION



Note

1. Heights might be subjected to +/- 0,030 m variation depending on the site conditions
2. Capacities are to be considered UNCOMPACTED
3. The maximum number of rings is referred to standard ambiental data: 73,6 daN/m² for snow; 100daN/m² for design wind pressure; 0,00g for seismic

LEGEND AND DETAILS

- A = Structure height
- B = Height to eave
- C = Overall height
- D = Bin sheets mean diameter
- E = Outlet clearance - see table
- F* = Outlet collar inside diameter = 600 mm
- G* = Roof cap diameter = 900 mm (max. diam. of inlet pipe 420 mm)
- H = Concrete column height 700-900 (mm) at client charge

* = Fixed dimensions

E = Hopper Outlet Clearance (m)

CR45S 05	4,456
CR45S 06	4,295
CR45S 07	4,858

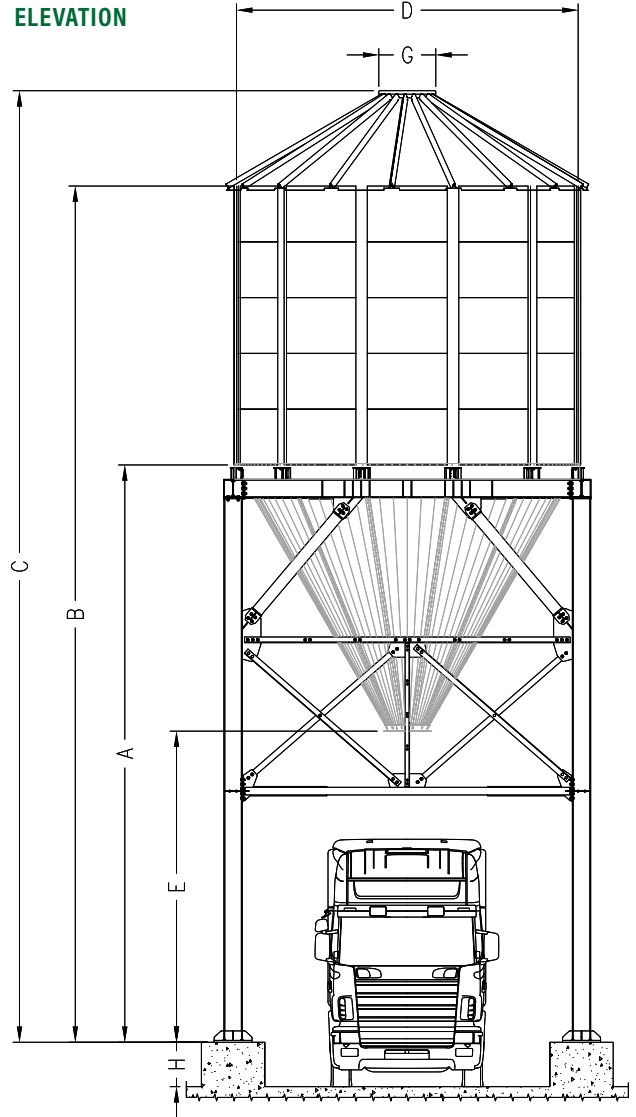
CR45S Hopper Silos Dimensions and Capacities (Shallow Corrugation Sheet)

DIAMETER METERS (FT)	MODEL	HEIGHTS			CAPACITY		
		STRUCTURES M (A)	EAVES M (B)	OVERALL M (C)	M ³	TONNES	
CR60S 05 D=4.55 m (15 FT)	CR60S 05/03	8.33	11.72	12.97	84	66	
	CR60S 05/04	8.33	12.84	14.09	102	80	
	CR60S 05/05	8.33	13.96	15.21	120	94	
	CR60S 05/06	8.33	15.07	16.32	139	108	
	CR60S 05/07	8.33	16.19	17.44	157	122	
	CR60S 05/08	8.33	17.31	18.56	175	136	
	CR60S 05/09	8.33	18.43	19.68	193	151	
	CR60S 06 D=5.46 m (18 FT)	CR60S 06/03	9.11	12.50	14.01	130	101
		CR60S 06/04	9.11	13.62	15.13	156	121
CR60S 06/05		9.11	14.74	16.25	182	142	
CR60S 06/06		9.11	15.85	17.36	208	162	
CR60S 06/07		9.11	16.97	18.48	234	183	
CR60S 06/08		9.11	18.09	19.60	260	203	
CR60S 06/09		9.11	19.21	20.72	286	223	
CR60S 06/10		9.11	20.32	21.83	313	244	
CR60S 06/11		9.11	21.44	22.95	339	264	
CR60S 07 D=6.37 m (21 FT)	CR60S 07/03	9.60	12.99	14.77	187	146	
	CR60S 07/04	9.60	14.11	15.89	223	174	
	CR60S 07/05	9.60	15.23	17.01	258	202	
	CR60S 07/06	9.60	16.34	18.12	294	229	
	CR60S 07/07	9.60	17.46	19.24	330	257	
	CR60S 07/08	9.60	18.58	20.36	365	285	
	CR60S 07/09	9.60	19.70	21.48	401	313	
	CR60S 07/10	9.60	20.81	22.59	436	340	
	CR60S 07/11	9.60	21.93	23.71	472	368	
	CR60S 07/12	9.60	23.05	24.83	508	396	

Note

1. Heights might be subjected to +/- 0,030 m variation depending on the site conditions
2. Capacities are to be considered UNCOMPACTED
3. The maximum number of rings is referred to standard ambiental data: 73,6 daN/m² for snow; 100daN/m² for design wind pressure; 0,00g for seismic

ELEVATION



LEGEND AND DETAILS

- A = Structure height
 - B = Height to eave
 - C = Overall height
 - D = Bin sheets mean diameter
 - E = Outlet clearance - see table
 - F* = Outlet collar inside diameter = 600 mm
 - G* = Roof cap diameter = 900 mm (max. diam. of inlet pipe 420 mm)
 - H = Concrete column height 700-900 (mm) at client charge
- * = Fixed dimensions

E = Hopper Outlet Clearance (m)

CR60S 05	4,910
CR60S 06	4,910
CR60S 07	4,910



AGI EMEA is an AGI Brand.

AGI is a leading provider of equipment solutions for agriculture bulk commodities including seed, fertilizer, grain, and feed systems with a growing platform in providing equipment and solutions for food processing facilities. AGI has manufacturing facilities in Canada, the United States, the United Kingdom, Brazil, India and Italy and distributes its products globally.

AGI EMEA

AGI EMEA S.R.L. (Head Office) - Via Bertella 2 - 40064, Ozzano dell'Emilia (BO) - Italy | **P** +39 051 798 107 | **F** +39 051 796 300 | **E** emea@aggrowth.com
 AGI FRAME Plant - Via Barbariga 7 - 30032 Fiesso d'Artico (VE) - Italy | **P** +39 051 798 107 | **F** +39 051 796 300 | **E** frame@aggrowth.com
 AGI PTM Plant - Via Mario Tognato, 10 - 35042 Este (PD) - Italy | **P** +39 0429 600 973 | **F** +39 0429 600 874 | **E** ptm@aggrowth.com

Share Capital: € 500.000,00 | VAT ID: IT03293161208 | Companies' register: BO03293161208