

MODEL RB THE ULTIMATE FEED MILL CONVEYOR

TRAMCO 



**THE HIGHEST
PERFORMANCE
AT THE BEST VALUE!**

Designed & Engineered for Versatility.

MODEL



RB

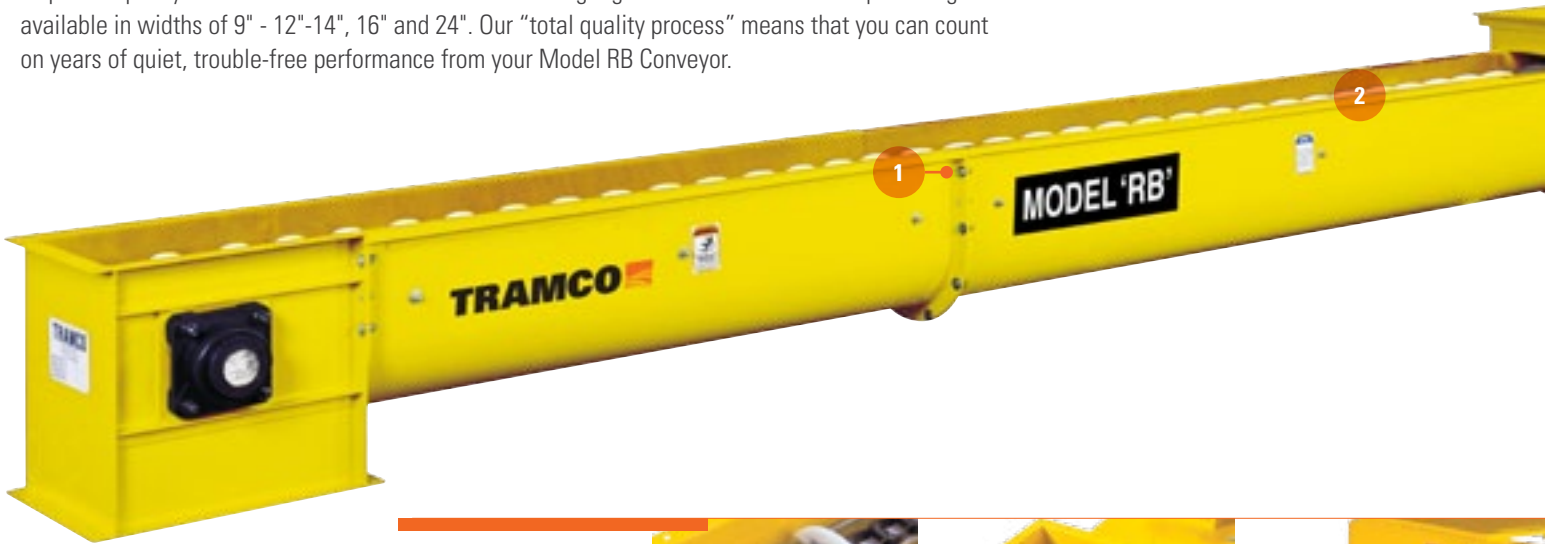
MODEL 'RB'

TRAMCO

TRAMBOLI

CAPACITY TO 10,000 CF/HR

The TRAMCO Model RB Conveyor is specifically designed for the handling of soft stock or materials that are easily crumbled or broken, such as seed, feed, pellets and other fragile materials. All components are jig welded to ensure their interchangeability and are checked for precise fit by the strict TRAMCO 100% inspection policy. The Model RB is built standard with 10-gauge construction. The u-shaped trough is available in widths of 9" - 12"-14", 16" and 24". Our "total quality process" means that you can count on years of quiet, trouble-free performance from your Model RB Conveyor.

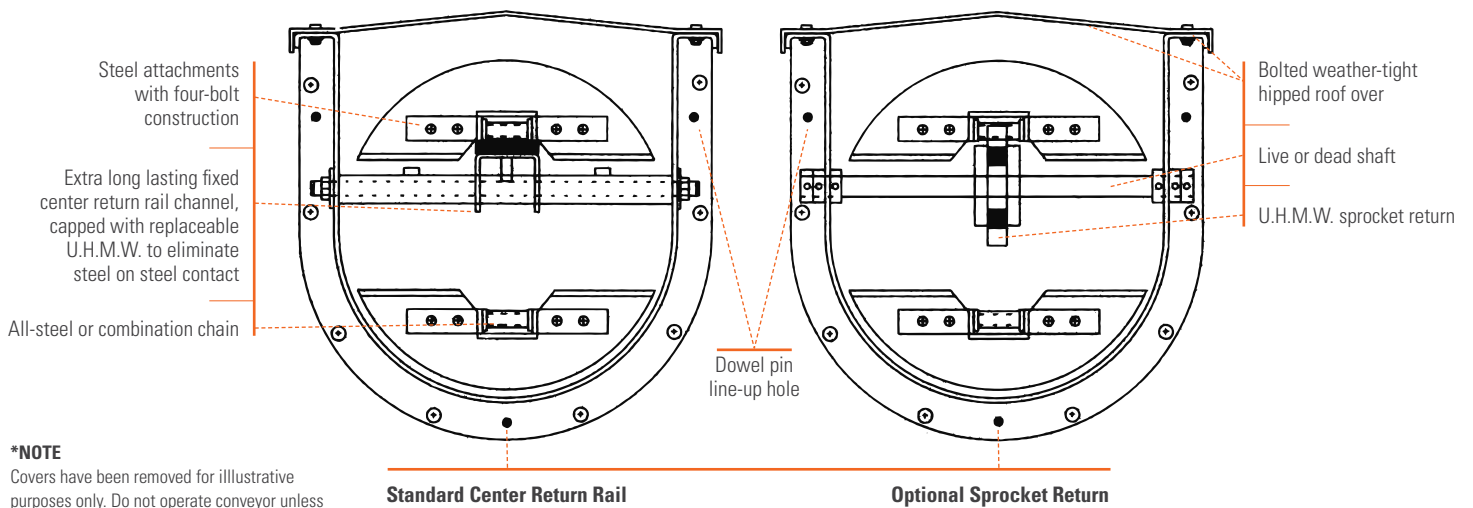


1 Standard totally bolted construction with grade 5 cadmium plated bolts

2 Heavy-duty heat treated chain supported by our standard center return rail

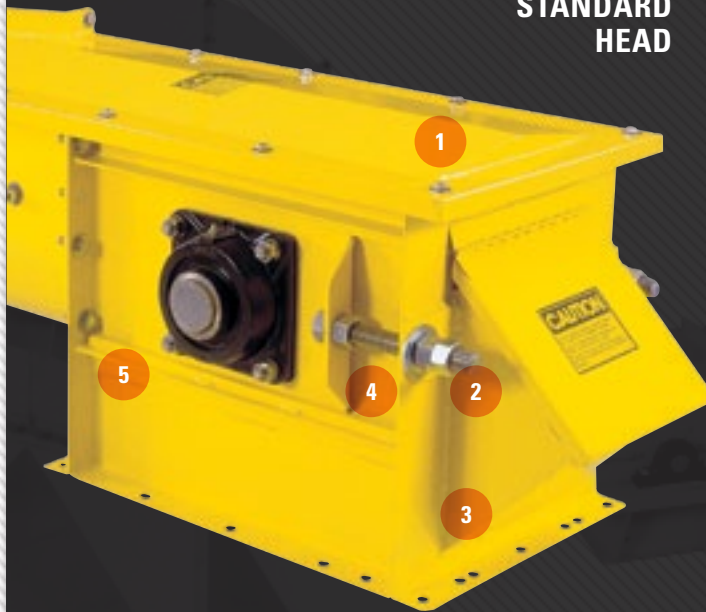
3 Bypass feed inlet allows feed to flow around return flight and feed directly to bottom run without damage to material

Inspection doors at each feed inlet or per customer's requirements



***NOTE**
Covers have been removed for illustrative purposes only. Do not operate conveyor unless all covers, guards, etc. are in place.

THE HEAVY-DUTY, HARD WORKING CONVEYOR FOR SOFT STOCK.



STANDARD HEAD

- 1 Flame hardened split sprocket for easy replacement
- 2 Take-up on the head with self-cleaning tail
- 3 Flanged discharge
- 4 3 mil Powder Coat Finish
- 5 U.H.M.W. dust seal



TROUGH CROSS SECTIONS

Contour shaped
U.H.M.W.
Polyethylene Flights
are standard on all
Tramco Model RB
Conveyors for
self-cleaning and
quiet operation



STANDARD TAIL

- 1 Heavy-duty ball bearings
- 2 Four bolt flanged bearing
- 3 Standing flange hipped roof cover fastened with cadmium plated bolts

TRAMCO... THE WORLD'S MOST COMPLETE LINE OF CHAIN & ENCLOSED BELT CONVEYORS.

TRAMCO conveyors and elevators, "The Quiet Ones" have become the standard of the industry. They are designed, engineered and built for hard work and long life. All models feature non-metallic flights for lower noise levels, minimal maintenance and downtime.

1

TRAMCO BUCKET ELEVATOR

The Work Horse

Centrifugal Discharge design used for the bulk handling of free-flowing fine and loose materials with small to medium size lumps. Built-to-last for the toughest requirements.

2

TRAMCO JETBELT™

Air Supported Belt Conveyor

An efficient system requiring less horsepower than other systems. Used for dry bulk handling requirements in a variety of products.

3

TRAMROLL™

Enclosed belt conveyor with innovative features such as; self-reloading and self-cleaning tail section and multiple inlets. The heaviest duty design in the industry.

4

TRAMCO MODEL RB

Designed for self-cleaning and quiet operation with a u-shaped trough for handling soft stock or materials that are easily crumbled or broken.

6

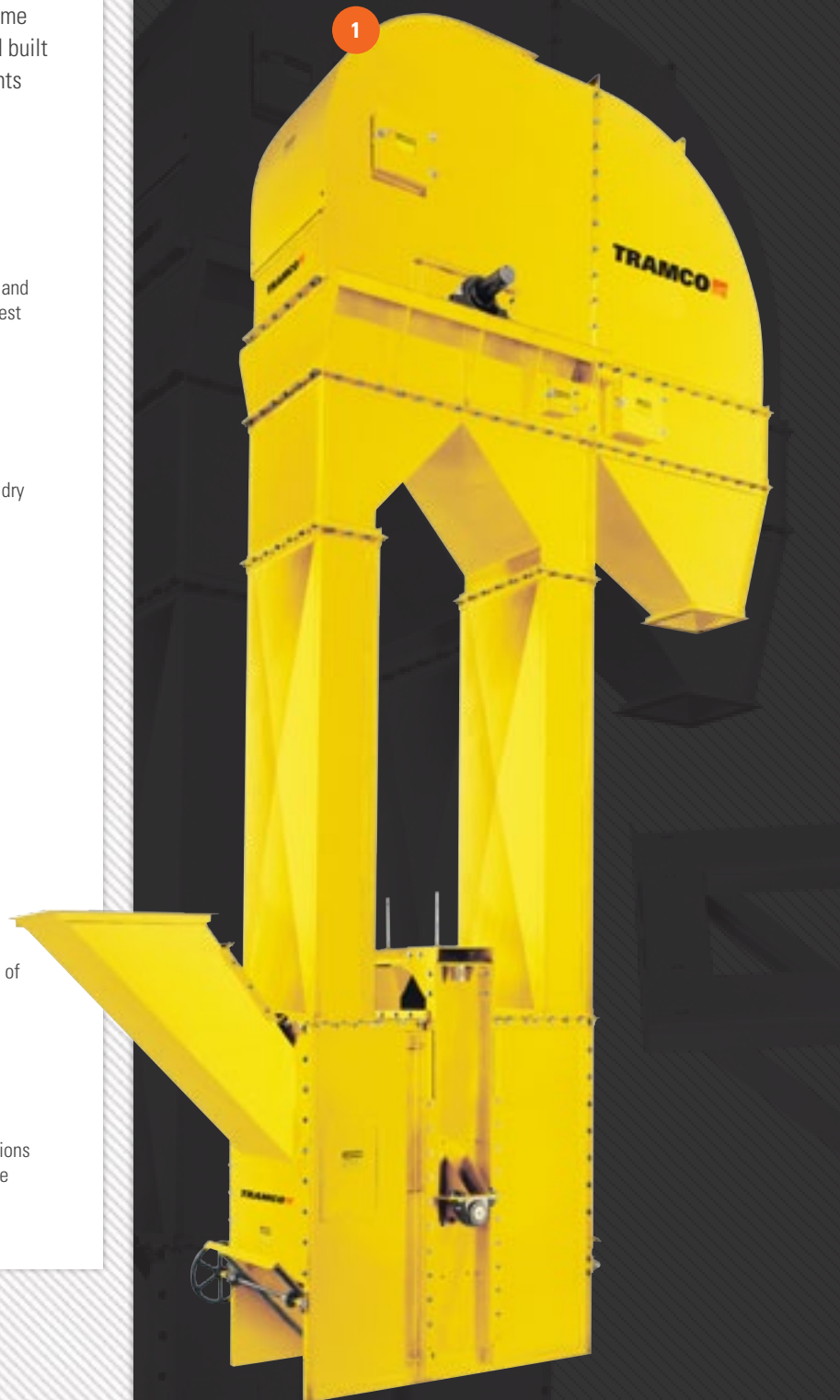
TRAMCO MODEL G

Built standard with 10-gauge construction to accommodate large capacities of free-flowing materials. Provides years of trouble-free service under extreme applications.

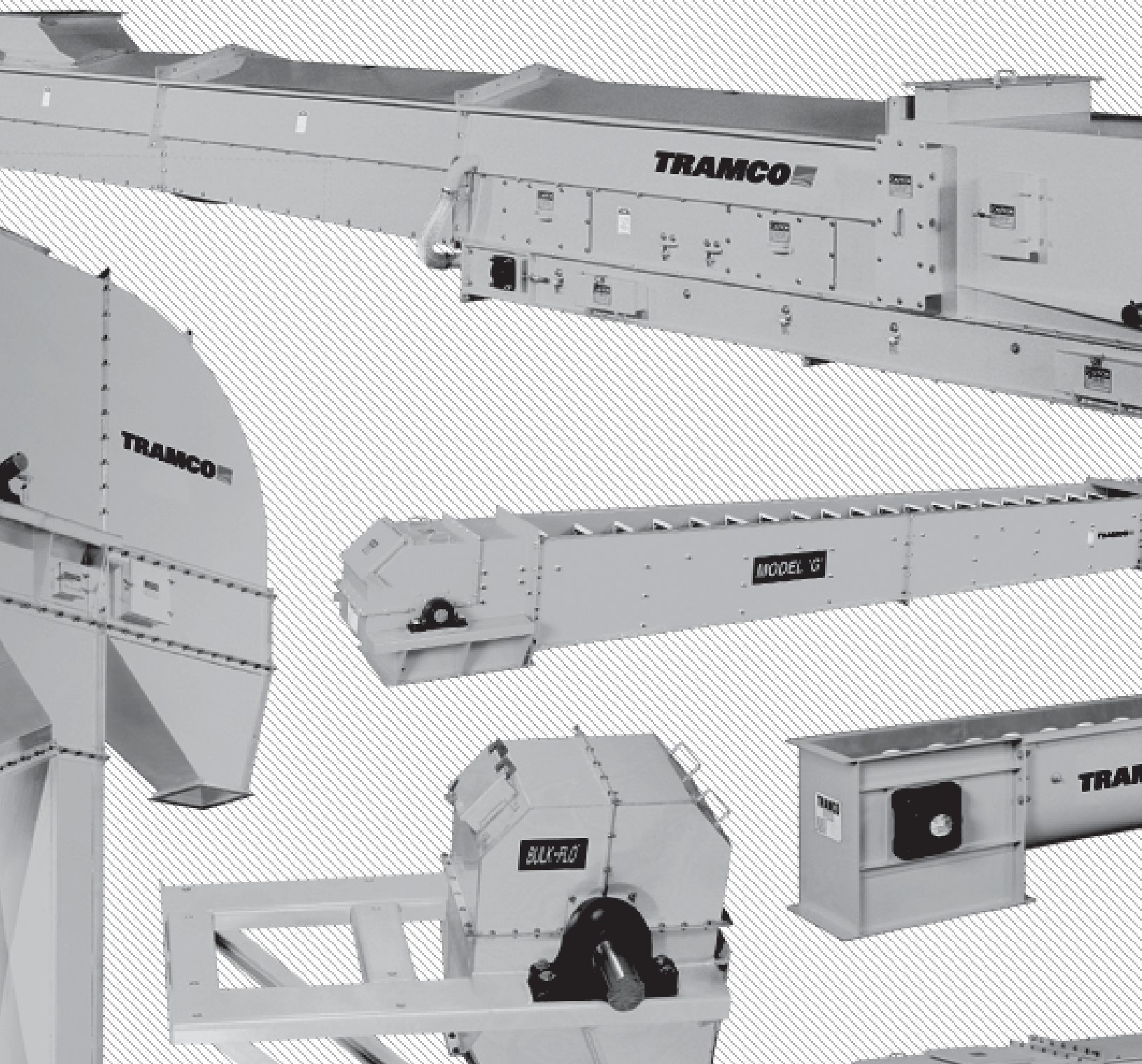
7

TRAMCO BULK-FLO™

The heavy-duty chain conveyor designed specifically for processing applications such as; wet and sticky, varying sizes and densities and abrasive or corrosive materials.







A unique combination of design, engineering, proper component selection, manufacturing and service after the sale makes TRAMCO Conveyors the first choice for consulting and supply in bulk material handling situations. TRAMCO delivers product for various industries such as chemical, coal, food and grain, mining, plastic, pulp, rubber and paper, or solid waste and recycling. Buying TRAMCO ensures expertise, knowledge, manufacturing know-how and the comfort that comes with every TRAMCO conveyor.

TRAMCO-EUROPE LTD
Mendham Business Park
Hull Road, Saltend, Hull, HU12 8DZ
P +44-1482-782666
F +44-1482-793920
E sales@tramcoeuropa.co.uk
tramcoeuropa.com

EURO-TRAMCO, B.V. (Sales)
Spacelab 47 D
3824MR Amersfoort, The Netherlands
P +31-33-4567033
F +31-33-4558149
E Hans@TRAMCO-europe.com
tramcoeuropa.com

TRAMCO 

1020 East 19th Street North Wichita, Kansas USA 67214
316.264.4604 sales@tramcoinc.com tramcoinc.com

AGI 
AG GROWTH INTERNATIONAL