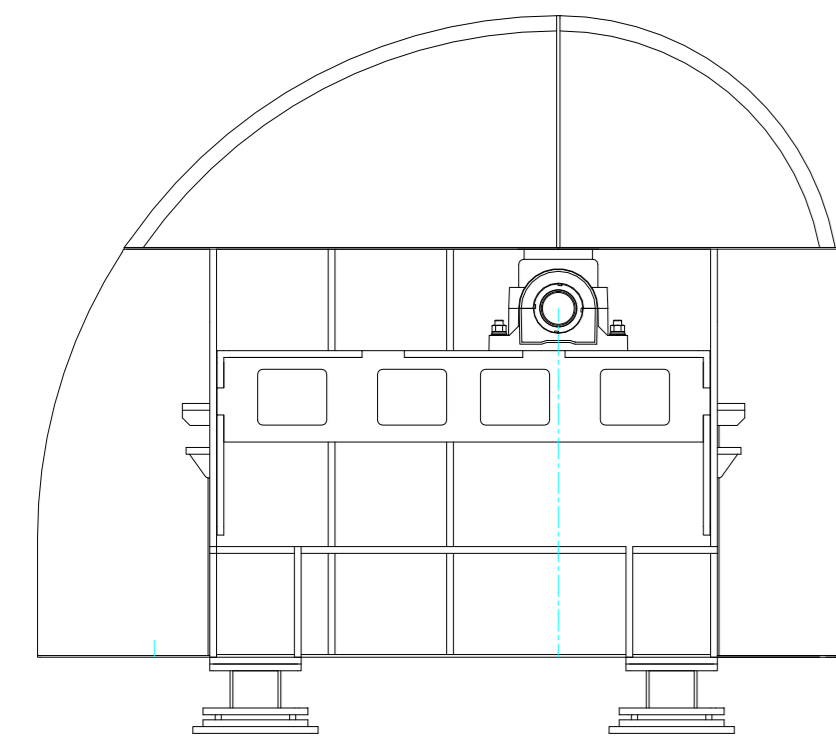
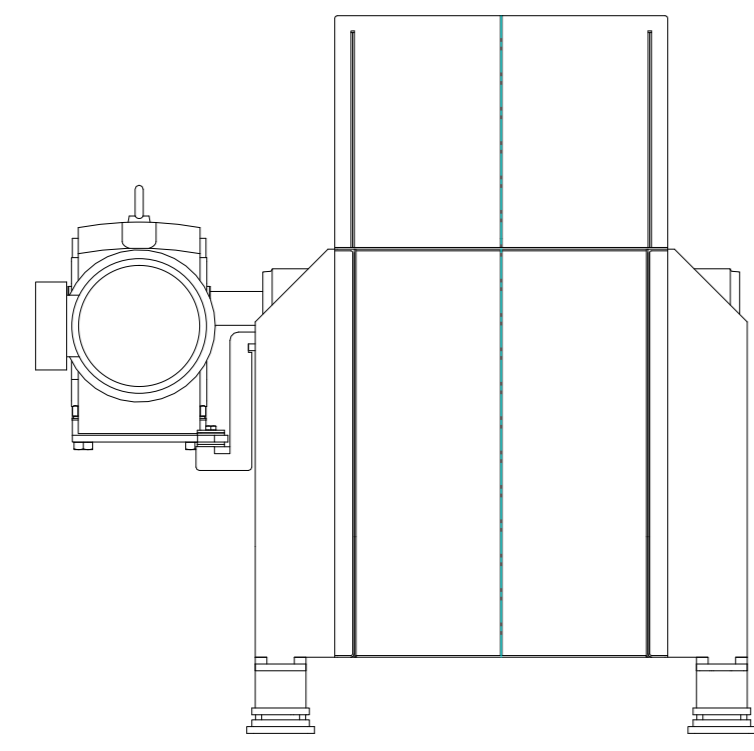


# ETM 1000

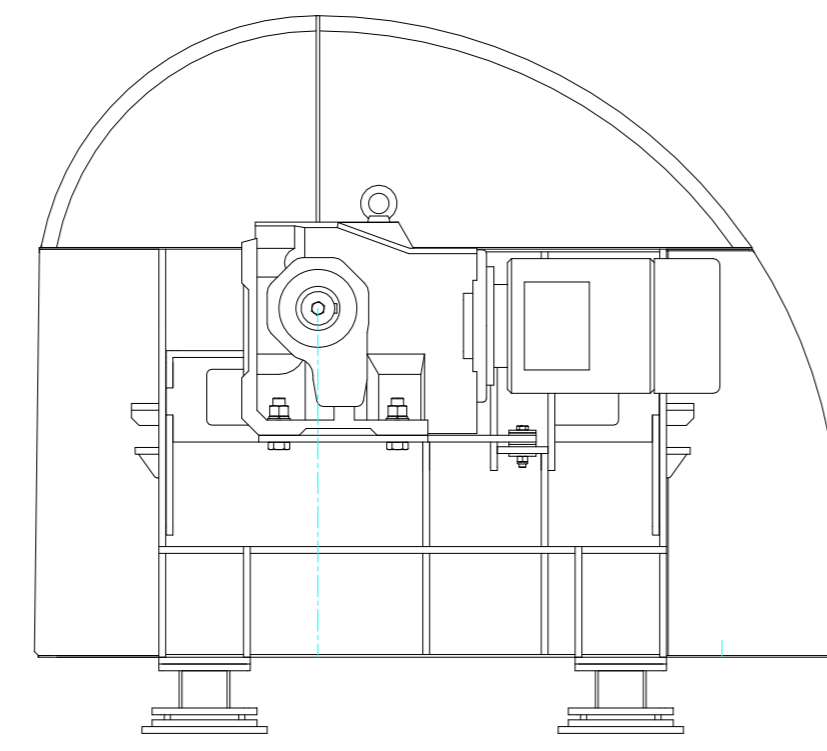
## TESTA DI COMANDO DRIVING HEAD



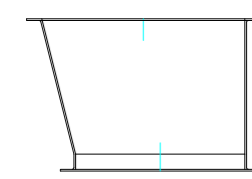
ID block: ETM1000\_DH1\_2011



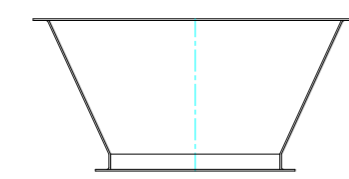
ID block: ETM1000\_DH2\_2011



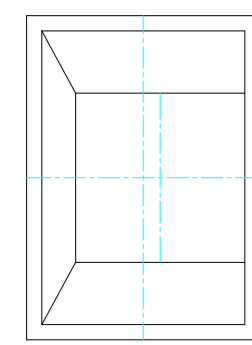
ID block: ETM1000\_DH3\_2011



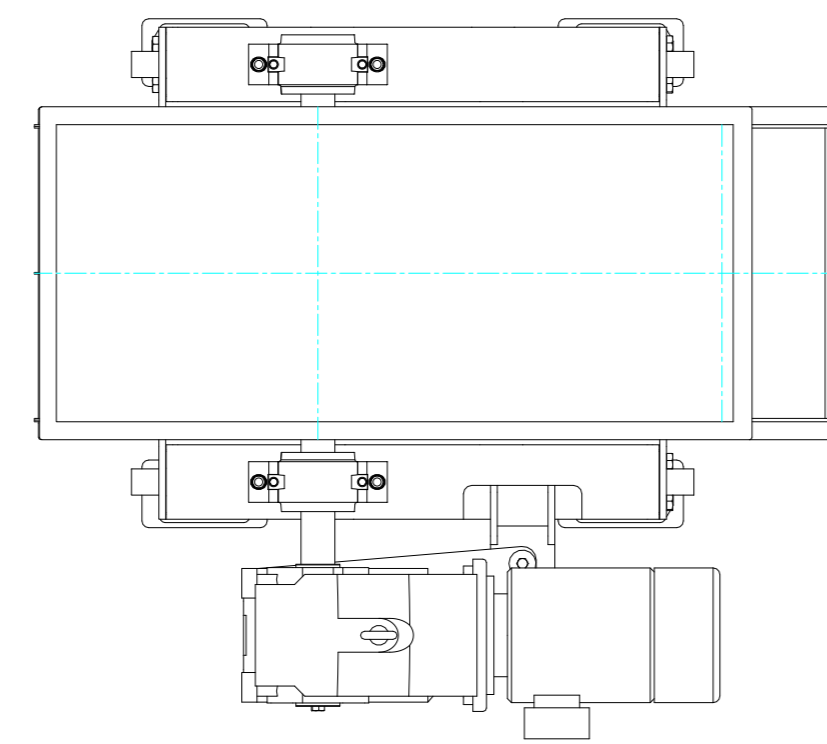
ID block: ETM1000\_SH1\_2012



ID block: ETM1000\_SH2\_2012



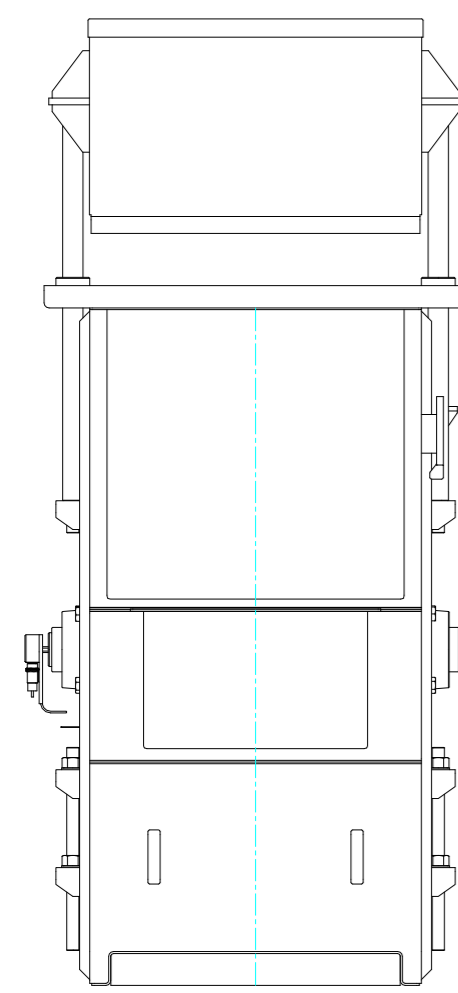
ID block: ETM1000\_SH3\_2012



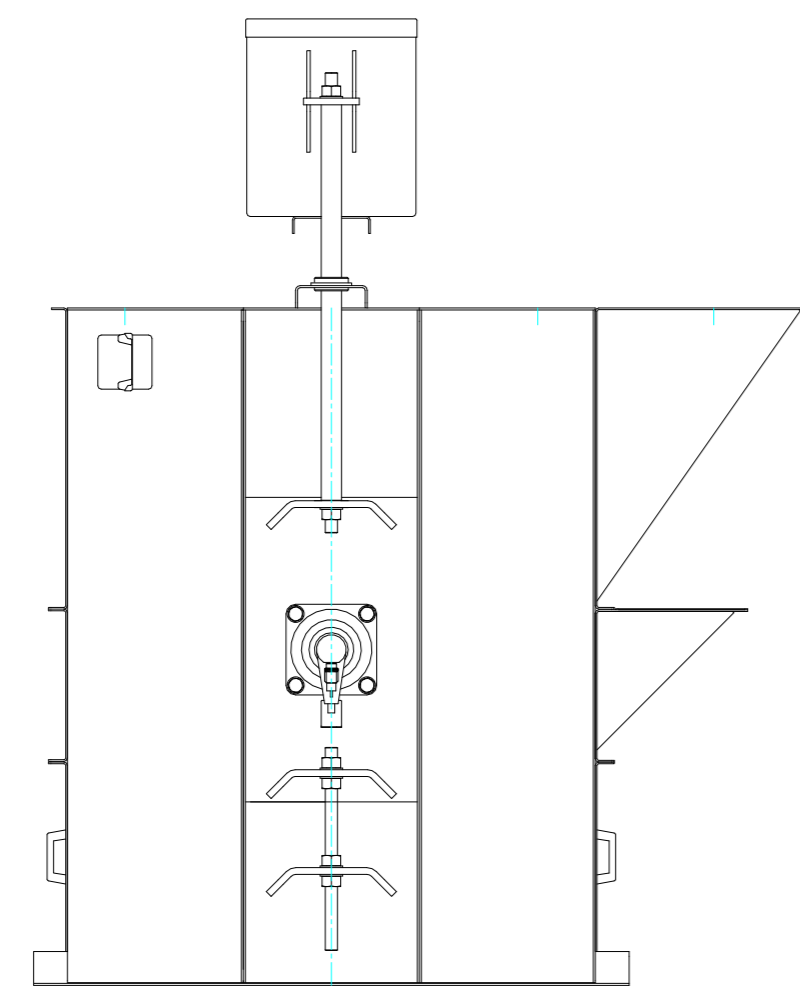
ID block: ETM1000\_DH5\_2011

WEIGHT
PESO
[kg]
6595

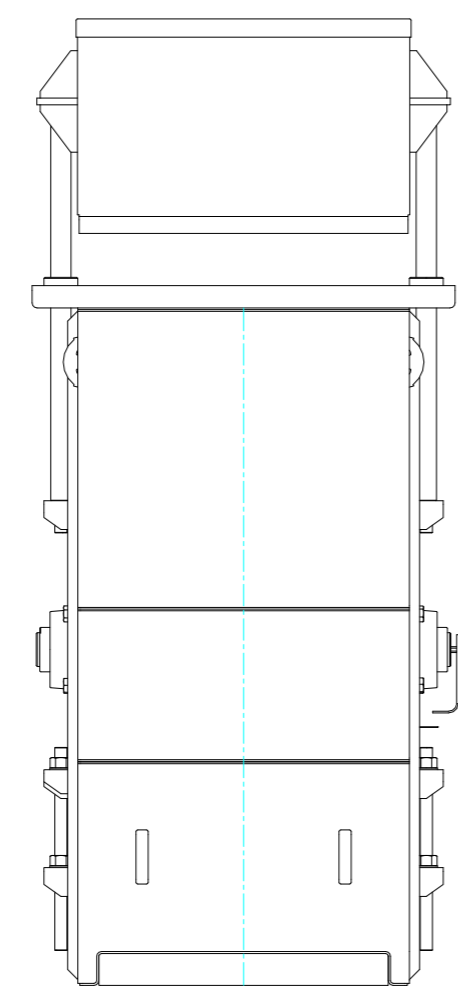
## PIEDE TAIL



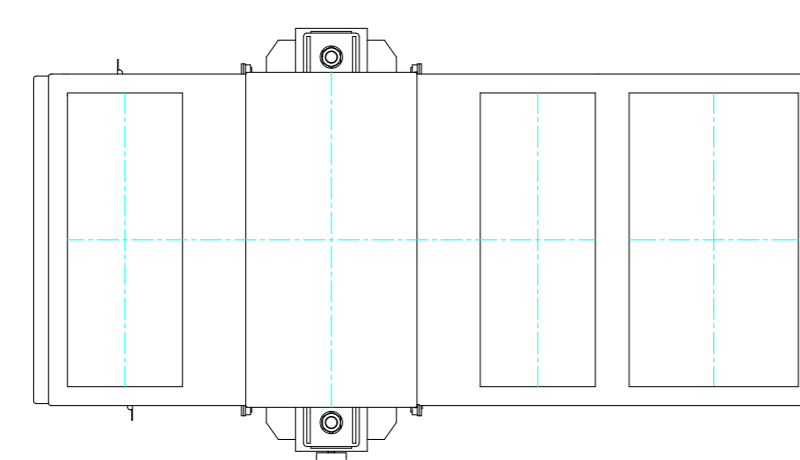
ID block: ETM1000\_F1\_2011



ID block: ETM1000\_F2\_2011



ID block: ETM1000\_F3\_2011

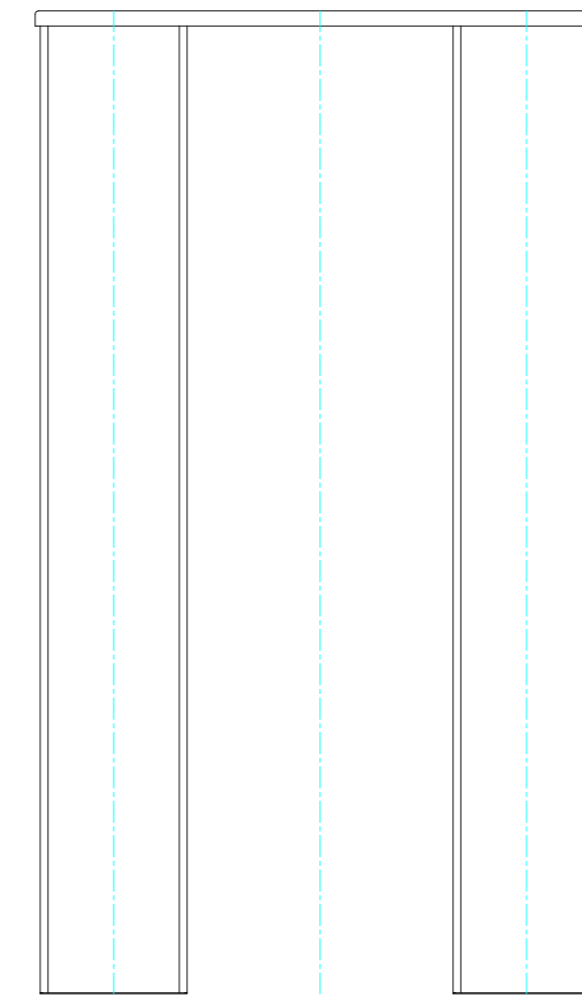


ID block: ETM1000\_F4\_2011

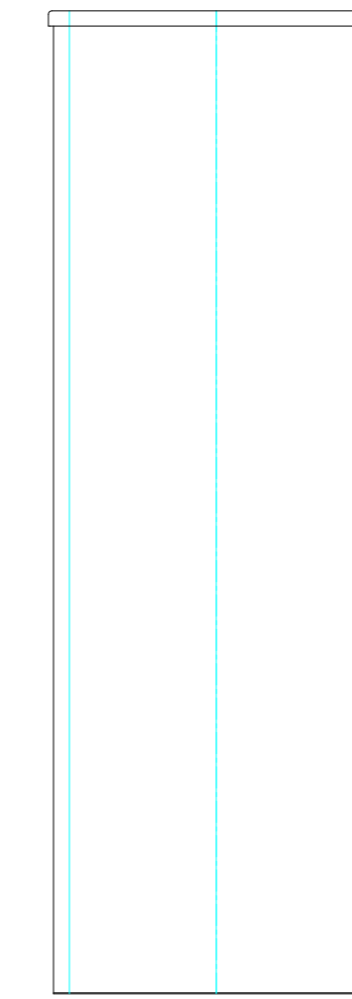
WEIGHT
PESO
[kg]
1850

## CANNE STANDARD STANDARD DUCTS

### L=2900



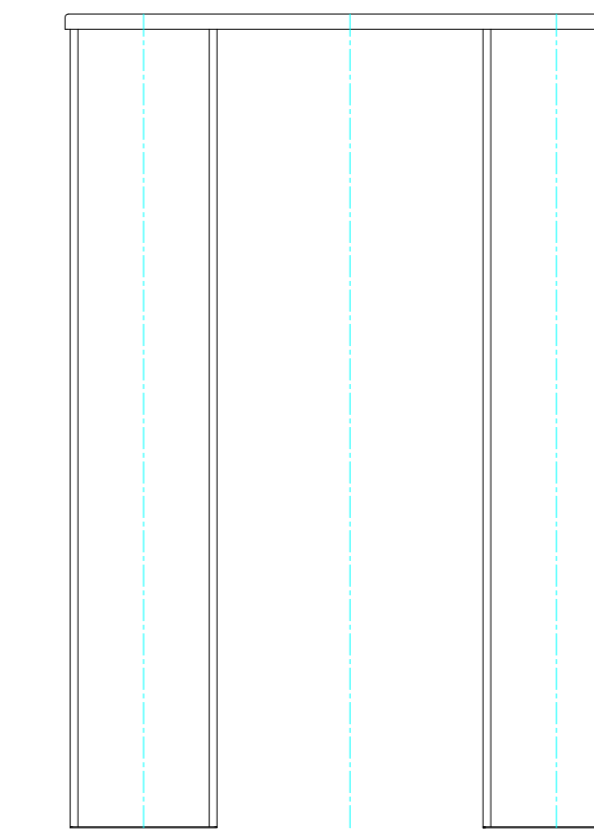
ID block: ETM1000\_SQ1\_2011



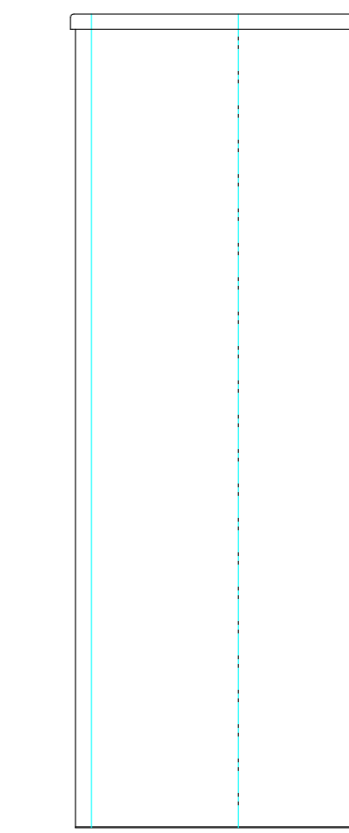
ID block: ETM1000\_SQ2\_2011

WEIGHT
PESO
[kg]
345

### L=2400

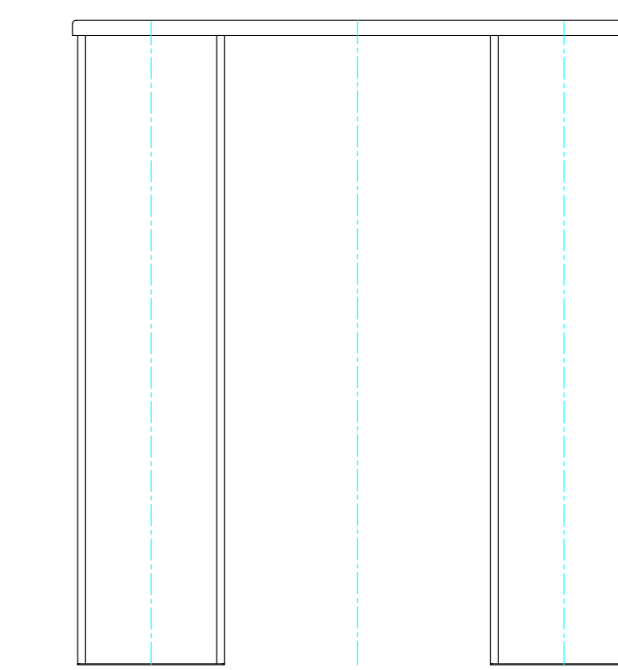


ID block: ETM1000\_SQ4\_2011

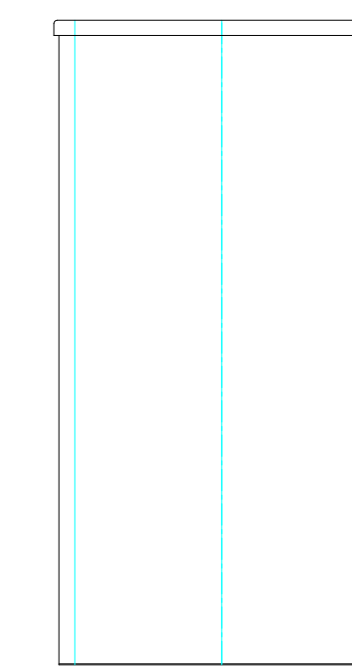


ID block: ETM1000\_SQ5\_2011

### L=1900

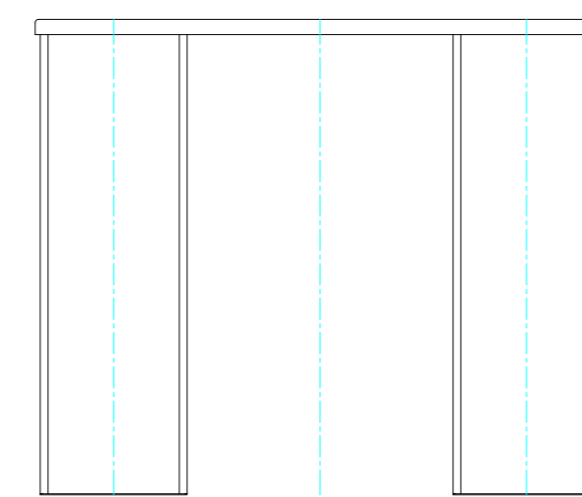


ID block: ETM1000\_SQ6\_2011

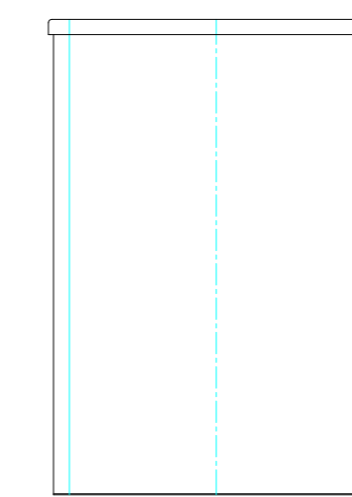


ID block: ETM1000\_SQ7\_2011

### L=1400

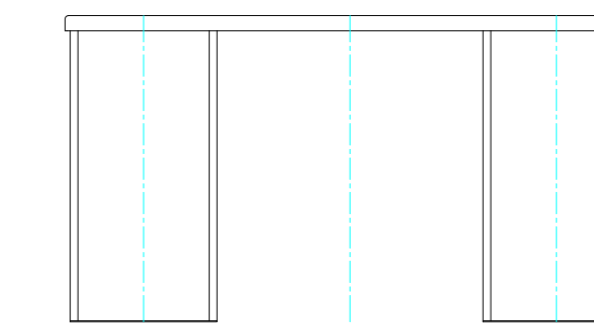


ID block: ETM1000\_SQ8\_2011

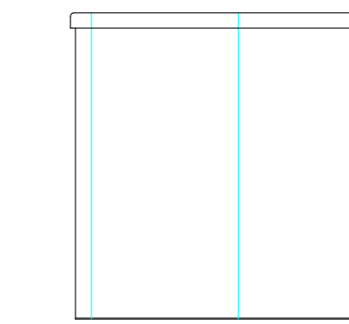


ID block: ETM1000\_SQ9\_2011

### L=900

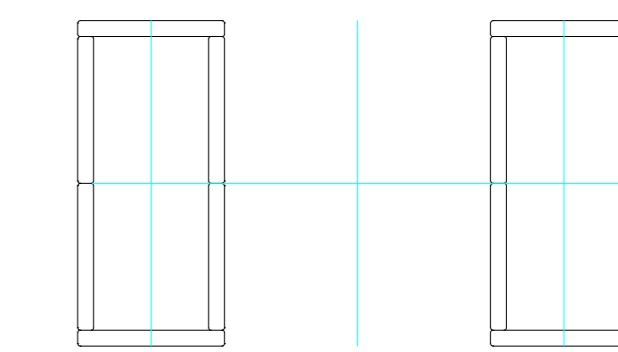


ID block: ETM1000\_SQ10\_2011

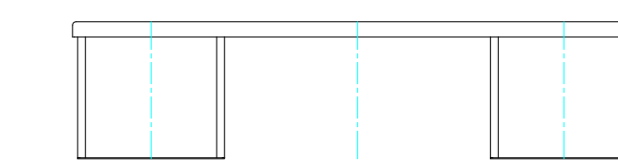


ID block: ETM1000\_SQ11\_2011

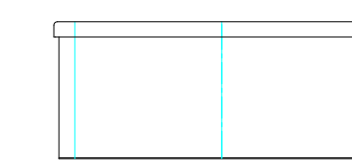
### L=400



ID block: ETM1000\_SQ3\_2011

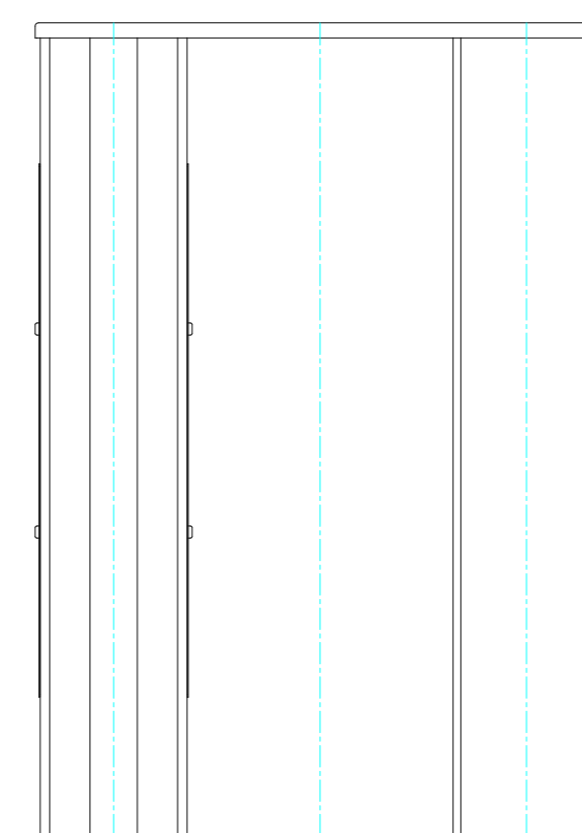


ID block: ETM1000\_SQ12\_2011

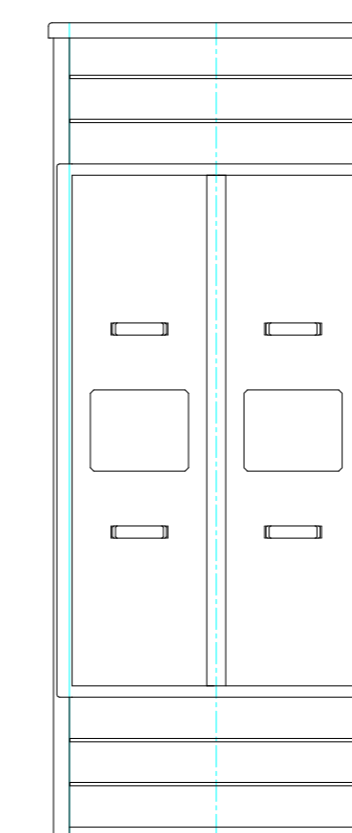


ID block: ETM1000\_SQ13\_2011

## CANNA D'ISPEZIONE INSPECTION LEG

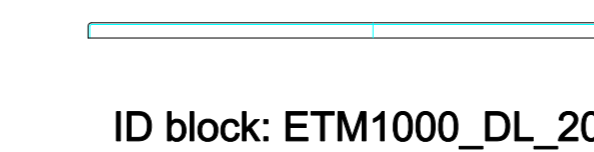


ID block: ETM1000\_ID1\_2011



ID block: ETM1000\_ID2\_2011

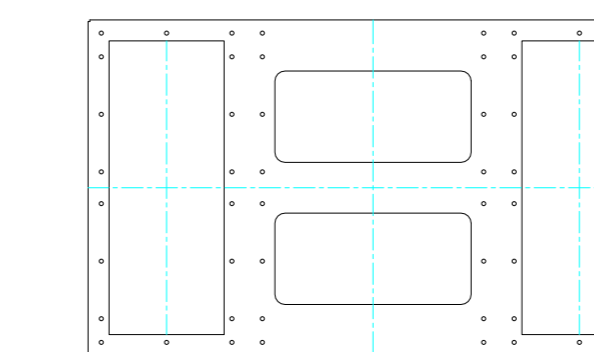
## DISTANZIALE CANNE SPACER BETWEEN LEGS



ID block: ETM1000\_DL\_2012

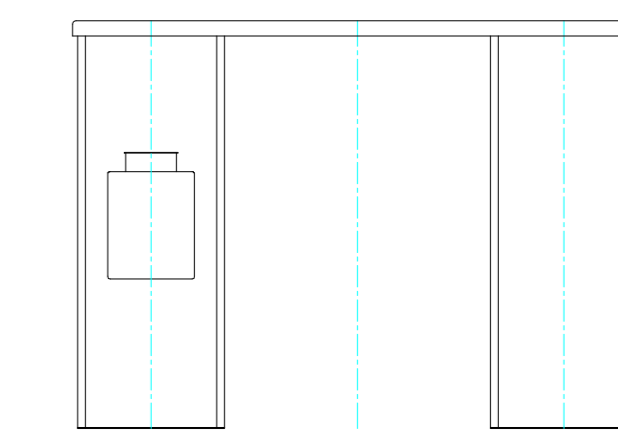


ID block: ETM1000\_DF\_2012

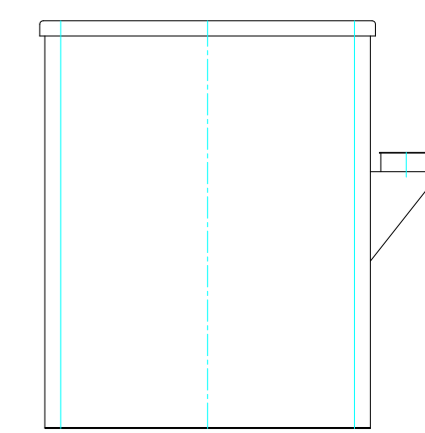


ID block: ETM1000\_DS\_2012

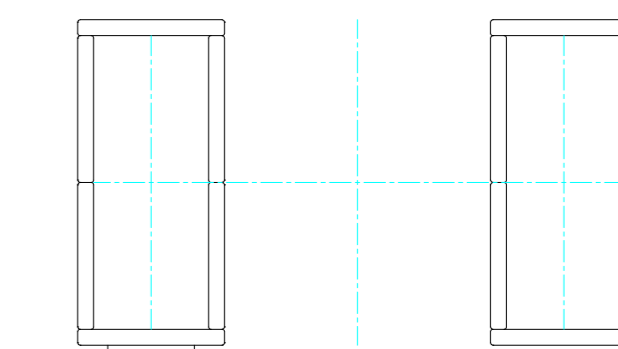
## CANNA D'ASPIRAZIONE L=1200, Ø150 ASPIRATION LEG L=1200, Ø150



ID block: ETM1000\_AD1\_2012



ID block: ETM1000\_AD1\_2012



ID block: ETM1000\_AD1\_2012

0	EMMISSIONE / EMISSION	Descrizione modifiche:	Eseguito da:	Data Approvazione:
			U.T. P.T.M.	01/12
Stato	1:1	Oggetto	DATA	01/01/2012
Scale		Object		
		NORMALI TECNICI		
		ELEVATORE A TAZZE		
		SERIE ETM 1000		
		TECHNICAL DRAWING		
		BUCKET ELEVATOR		
		TYPE ETM 1000		

This drawing is the property of P.T.M. and must not be made, copied or disclosed to third parties without prior authorization.



